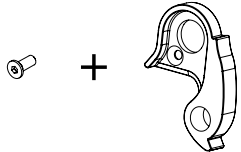
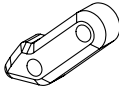
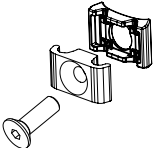
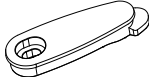
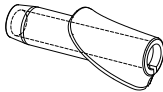
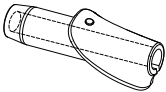
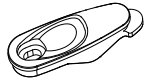


### FRAME SPECIFICATIONS

- Seat post: 31.6mmØ
- Seat clamp: 34.9mmØ
- Front derailleur: Not compatible
- Bottom bracket: BSA 100mm shell
- Headtube: Tapered 1.125" - 1.5"
- Headset: S.H.I.S. IS42/28.6 IS52/40
- Brakes: Post mount 160mm
- Front axle: 15x150 L198 M15x1.5
- Rear axle: 12x197 L229 M12x1.75  
(Maxle standard)

1	<b>DERAILLEUR HANGER</b> 913015-003	
2	<b>FLIP MOUNT</b> 959371-8-6	
3	<b>DOUBLE CABLE GUIDE</b> 959800-15-200-2	
4	<b>CABLE BLANK</b> 959800-15-311	
4	<b>DROPPER POST FITTING 1 of 2</b> <b>4MM GROMMET</b> 959800-15-307	
	or	
	+	
	<b>DROPPER POST FITTING 2 of 2</b> 959800-15-310	