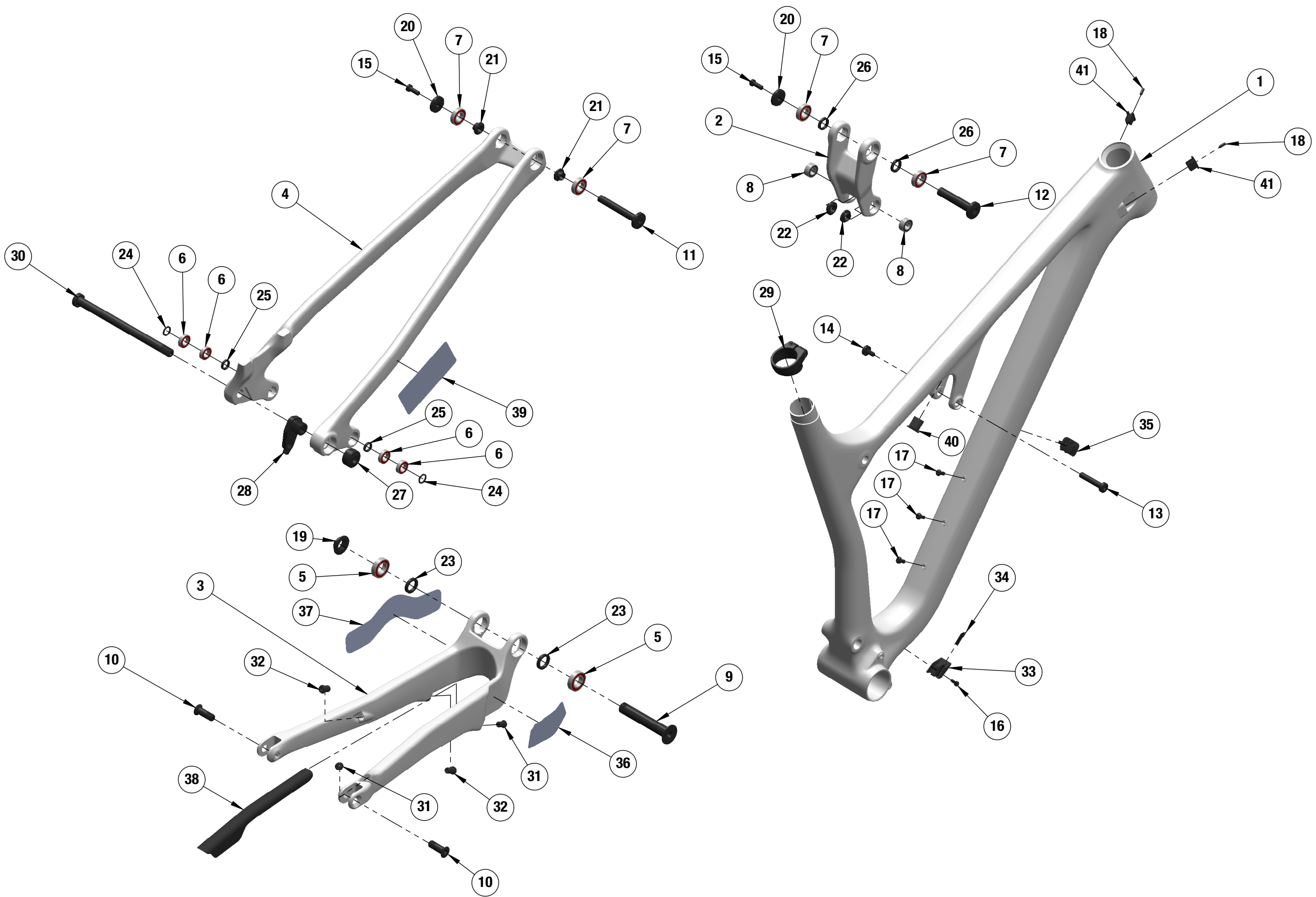


NORCO

REVOLVER FS

FRAME ASSEMBLY & SERVICE PARTS REFERENCE

EXPLODED VIEW



BILL OF MATERIALS

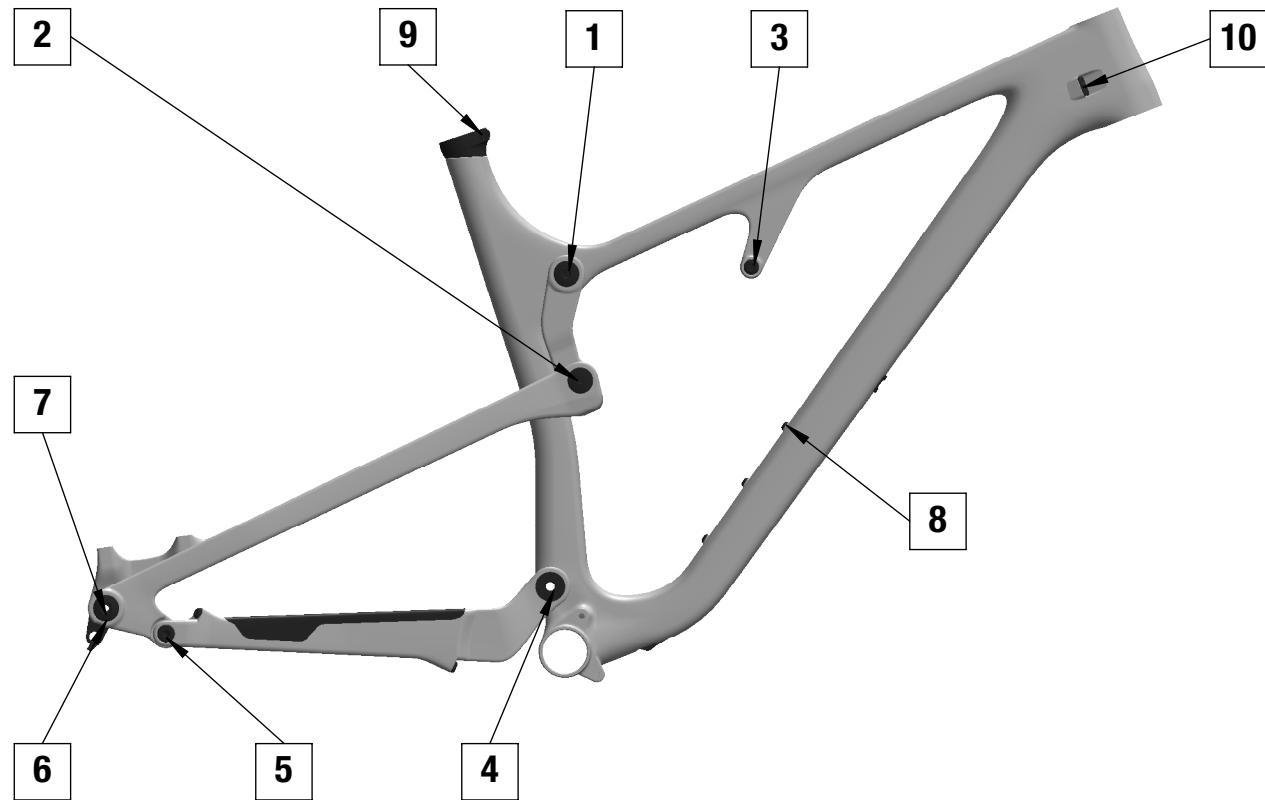


ADDITIONAL FRAME INFORMATION	FS 100	FS 120
AVAILABLE FRAME SIZES	S, M, L, XL	
WHEEL SIZE	29"	
S.H.I.S.	IS42/28.6 IS52/40	
MAX. FORK LENGTH, OFFSET [mm]	531, 51	
BB TYPE, WIDTH [mm]	PRESS FIT, 92	
MAX CHAINRING SIZE	38	
OLD [mm]	148	
REAR BRAKE MOUNT [mm]	160, POST	
SEATPOST DIAMETER [mm]	31.6	
RECOMMENDED TIRE SIZE [IN.]	29" X 2.35"	
SHOCK DIMENSIONS [LENGTH, STROKE] [mm]	190, 37.5	190, 45
SHOCK HARDWARE - BODY (W X ID) [mm]	25 X 8	
SHOCK HARDWARE - SHAFT (W X ID) [mm]	20 X 10	
ISCG 05 MOUNTS	YES	

ADDITIONAL SERVICE PARTS			
ITEM NO.	SUPPORT PART NUMBER	QTY.	DESCRIPTION
i	914100-028	1	GIZMO3, 2P, BLANK
ii	914100-037	1	GIZM3, 2P, 5mm & BLANK

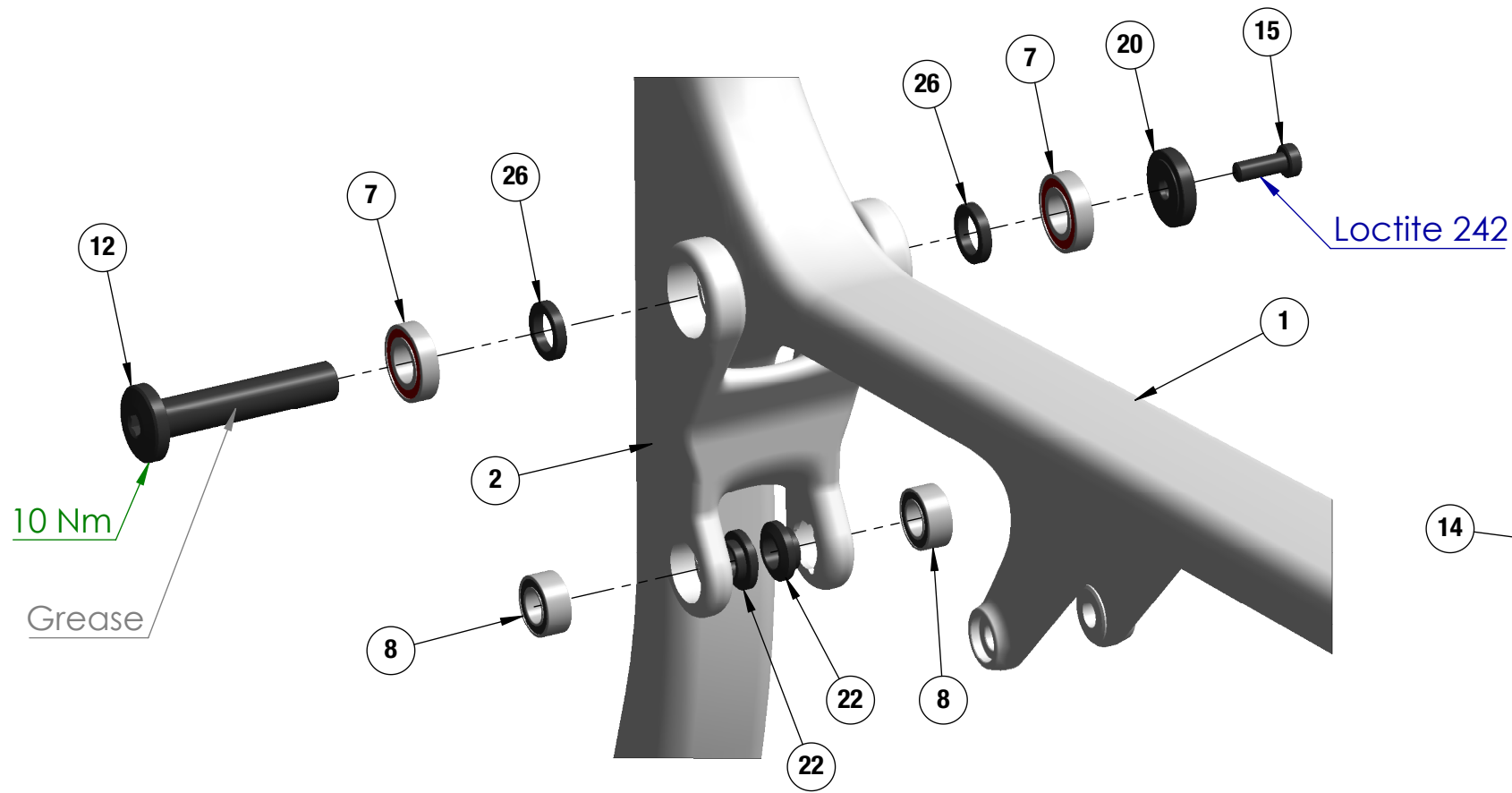
ITEM NO.	SERVICE PART NUMBER	QTY.	DESCRIPTION	MATERIAL
1		1	FT, REVOLVER FS MY20	CARBON
2	CONTACT CUSTOMER SERVICE	1	LA, REVOLVER FS MY20	CARBON
3		1	CS, REVOLVER FS MY20	CARBON
4		1	SS, REVOLVER FS MY20	CARBON
5		913200-6902-EM	2	6902-LLU ENDURO MAX BEARING, 15X28X7MM
6	913200-6800-EM	4	6800-LLU ENDURO MAX BEARING, 10X19X5MM	ALLOY STEEL
7	913200-6901-EM	4	6901-LLU ENDURO MAX BEARING, 12X24X6MM	ALLOY STEEL
8	913200-3800-EM	2	3800-2RS SEALED BEARING, 10X19X7MM	ALLOY STEEL
9	913500-016	1	SHAFT, DIA15, L86.5, M15X1.5, HEX8	7075-T6
10	913500-007	2	SHAFT, DIA10, L28, M10X1.5, HEX5	7075-T6
11	913500-017	1	SHAFT, DIA10, L69.5, M6X1 INT, HEX5	7075-T6
12	913500-018	1	SHAFT, DIA10, L59.5, M6X1 INT, HEX6	7075-T6
13	913500-015	1	SHAFT, DIA8, L40, M6X1 INT, HEX5	AISI 316 SS BAR
14	913700-004	1	BOLT, M6X1, L12, HEX5	AISI 316 SS BAR
15	913400-033	2	M6X16MM LOW HEIGHT SOCKET HEAD CAP SCREW	STEEL, BLACK CHROMATE
16	913400-030	1	M4X12MM LOW HEIGHT SOCKET HEAD CAP SCREW	STEEL, BLACK CHROMATE
17	913400-031	3	M5X12MM BUTTON HEAD CAP SCREW	STEEL, BLACK CHROMATE
18	916003-015	2	M4X10MM GRUB SCREW	STEEL, BLACK CHROMATE
19	913700-005	1	NUT, M15X1.5, 18HEX	7075-T6
20	913400-034	2	CAP, 6ID, 23.5OD, L6.5	7075-T6
21	913800-014	2	TOPHAT, ID10, OD12, L4	AISI 316 SS BAR
22	913800-015	2	TOPHAT, ID10, OD13, L4	7075-T6
23	913300-003	2	SPACER, ID15, OD22, L4	7075-T6
24	913300-008	2	SPACER, ID10, OD14, L2	7075-T6
25	913300-009	2	SPACER, ID10, OD14, L3.5	7075-T6
26	913300-010	2	SPACER, ID12, OD18, L3.5	7075-T6
27	913020-002	1	RD HANGER, TWO PIECE, M18X1 NUT, HEX8	7075-T6
28	913015-004	1	RD HANGER, TWO PIECE, M12X1 HANGER	7075-T6
29	915000-002	1	NORCO SEATPOST CLAMP, 34.9mm	6061-T6
30	913105-012	1	NORCO AXLE, L170, TL15 M12X1	7075-T6
31	959800-15-303	2	GIZMO, RUBBER GROMMET, OD7.9, ID4.1	EPDM RUBBER
32	914100-030	2	GIZMO, RUBBER GROMMET, OD7.9, ID6	EPDM RUBBER
33	914100-015	1	GIZMO2, TWO POSITION CABLE COVER	NYLON
34	914100-017	1	GIZMO2, 4mm REDUCER PORT	NYLON
35	914100-029	1	GIZMO, DT CABLE TIE GROMMET	EPDM RUBBER
36	915200-021	1	CS CHAIN SUCK GUARD, REVOLVER FS MY20	CLEAR POLYURETHANE
37	915200-022	1	CS TIRE AREA PROTECTOR, REVOLVER FS MY20	CLEAR POLYURETHANE
38	915200-020	1	CS PROTECTOR, REVOLVER FS MY20	BLACK SILICONE
39	915300-006	1	SS GUARD, REVOLVER FS MY20	CLEAR POLYURETHANE
40	914100-037	1	GIZMO3, 2P, 5mm & BLANK	EPDM RUBBER
41	914100-040	2	GIZMO3.1, 2P LOCKING	NYLON

TORQUE SEQUENCE

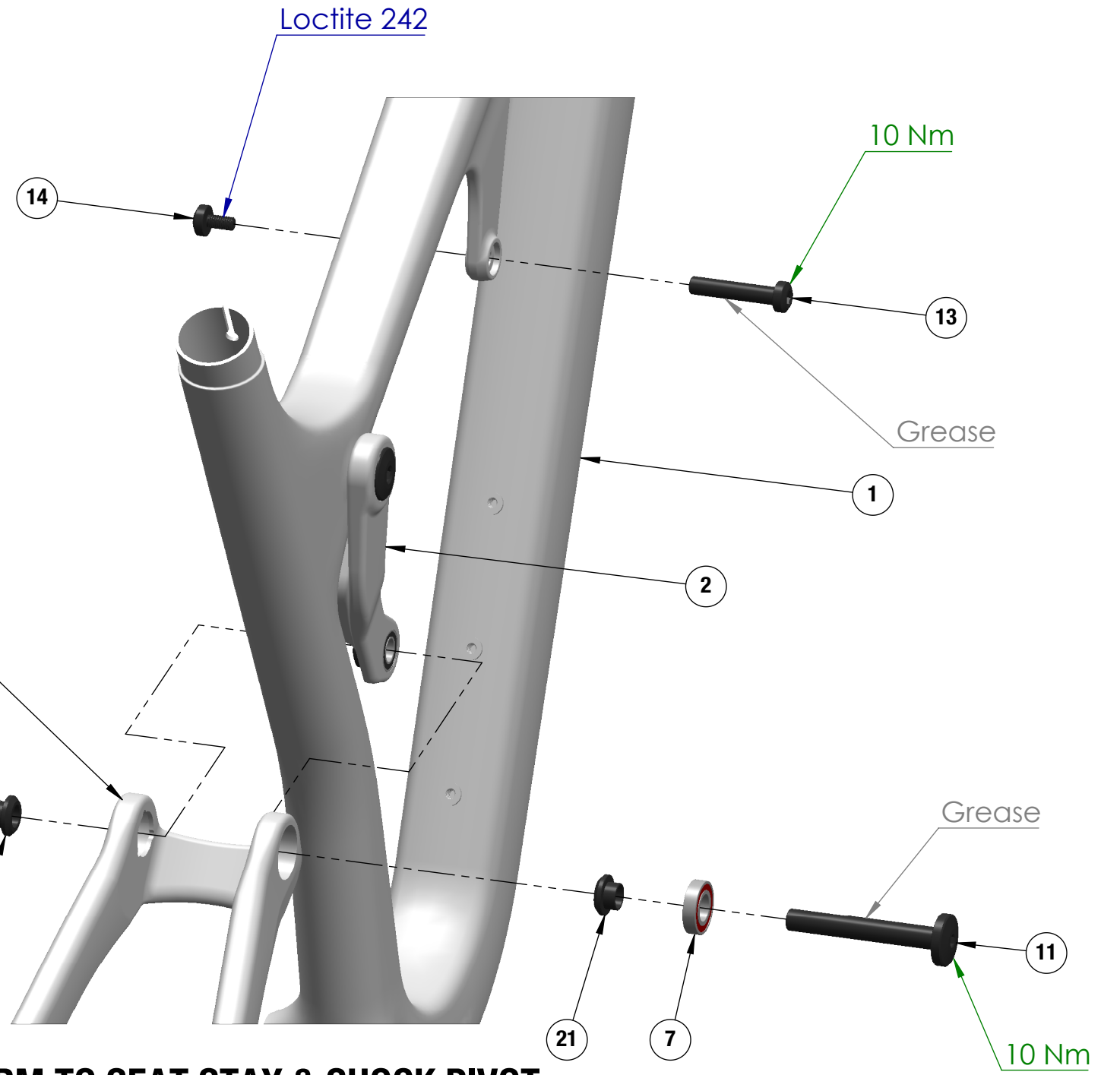


INDEX	PIVOT NAME	TORQUE	TOOL
1	FRONT TRIANGLE TO LINKARM	10 Nm	6mm HEX
2	LINKARM TO SEAT STAY & SHOCK	10 Nm	4mm & 5mm HEX
3	FRONT TRIANGLE TO SHOCK	10 Nm	5mm HEX
4	CHAIN STAY TO FRONT TRIANGLE	14 Nm	18mm WRENCH & 8mm HEX
5	CHAIN STAY TO SEAT STAY	10 Nm	5mm HEX
6	HANGER	12 Nm (LH)	8mm HEX
7	AXLE	12 Nm	5mm OR 6mm HEX AS PER SPEC.
8	BOTTLE CAGE BOLTS	3 Nm	3mm HEX
9	SEAT CLAMP	5 Nm	4mm HEX
10	CABLE PORT GIZMO	1 Nm	2mm HEX

PIVOT HARDWARE

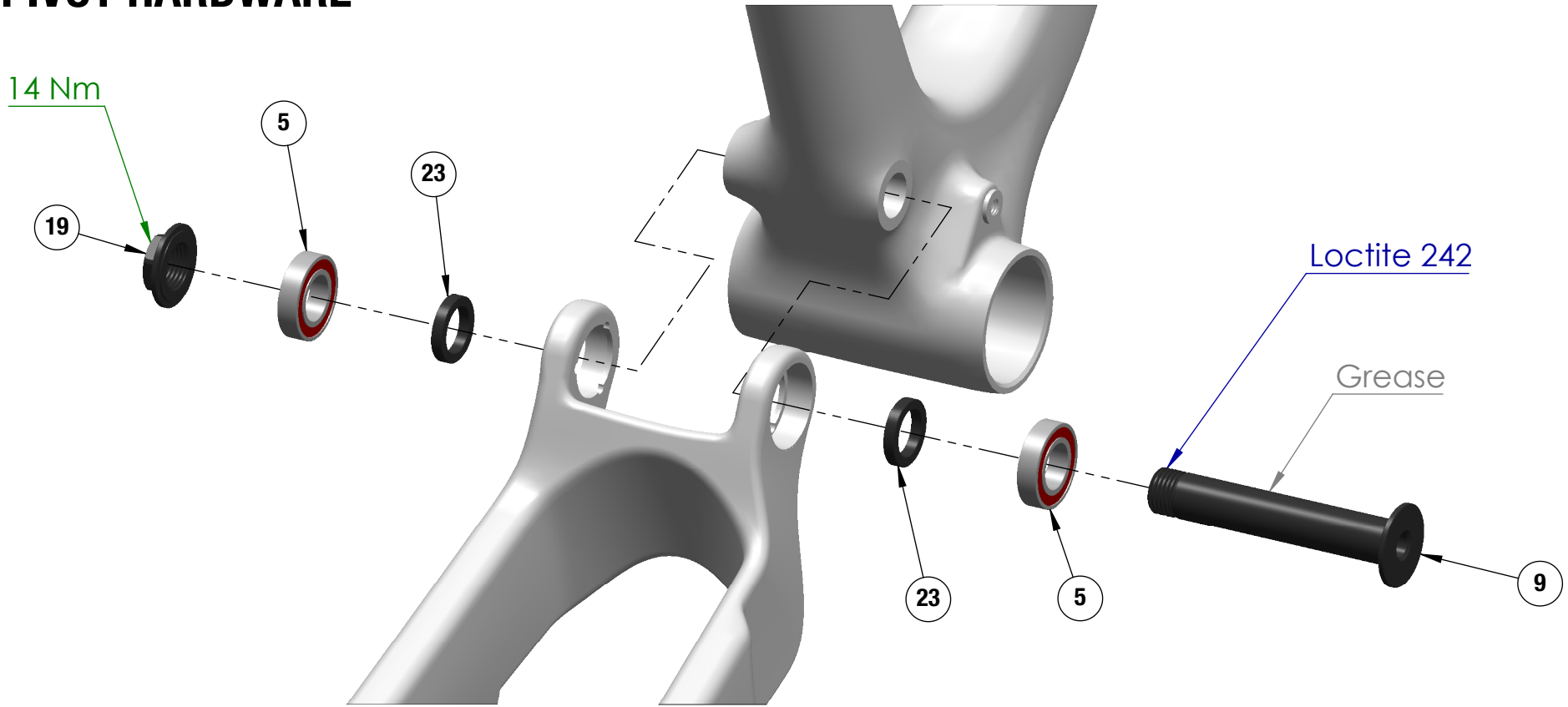


FRONT TRIANGLE TO LINKARM PIVOT

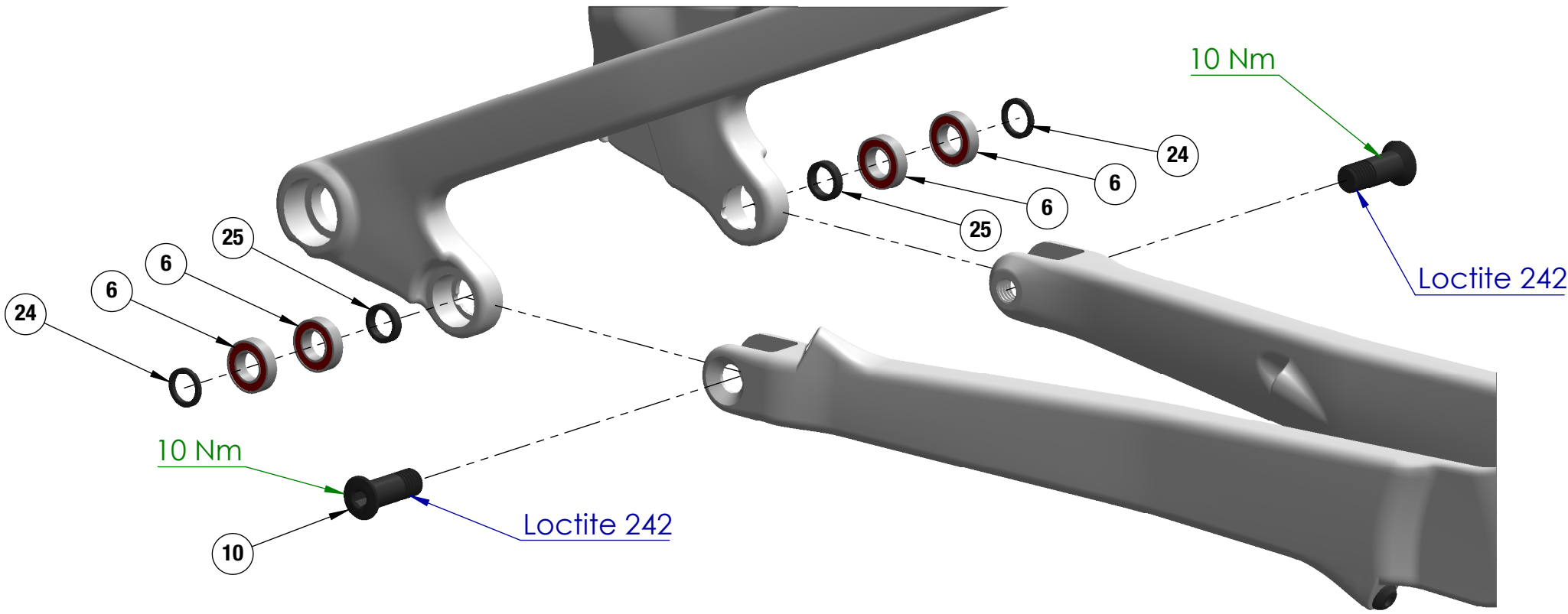


LINKARM TO SEAT STAY & SHOCK PIVOT

PIVOT HARDWARE



CHAIN STAY TO FRONT TRIANGLE PIVOT

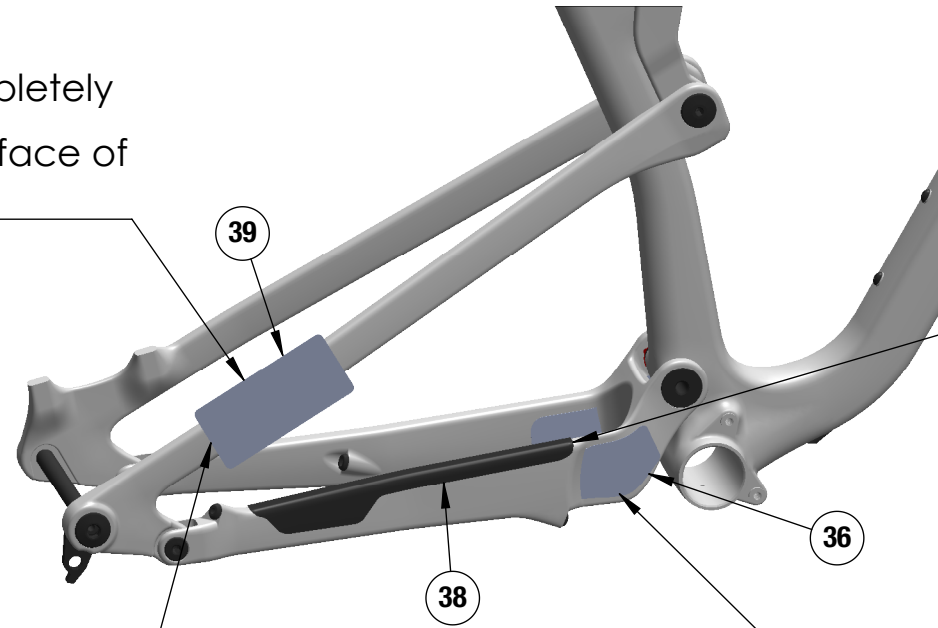


CHAIN STAY TO SEAT STAY PIVOT

FRAME PROTECTION & HANGER

Wrap **39** completely around outside face of seat stay.

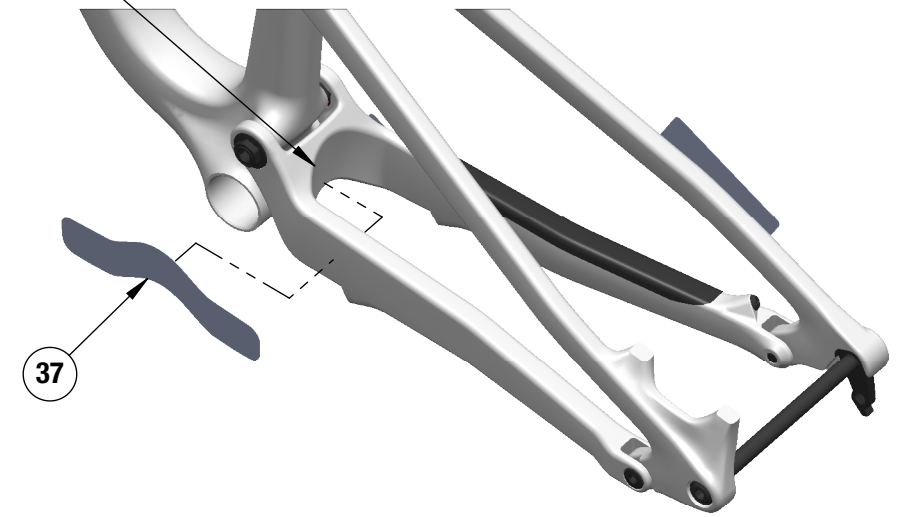
Edge of **39** should be 85mm from edge of hanger nut.



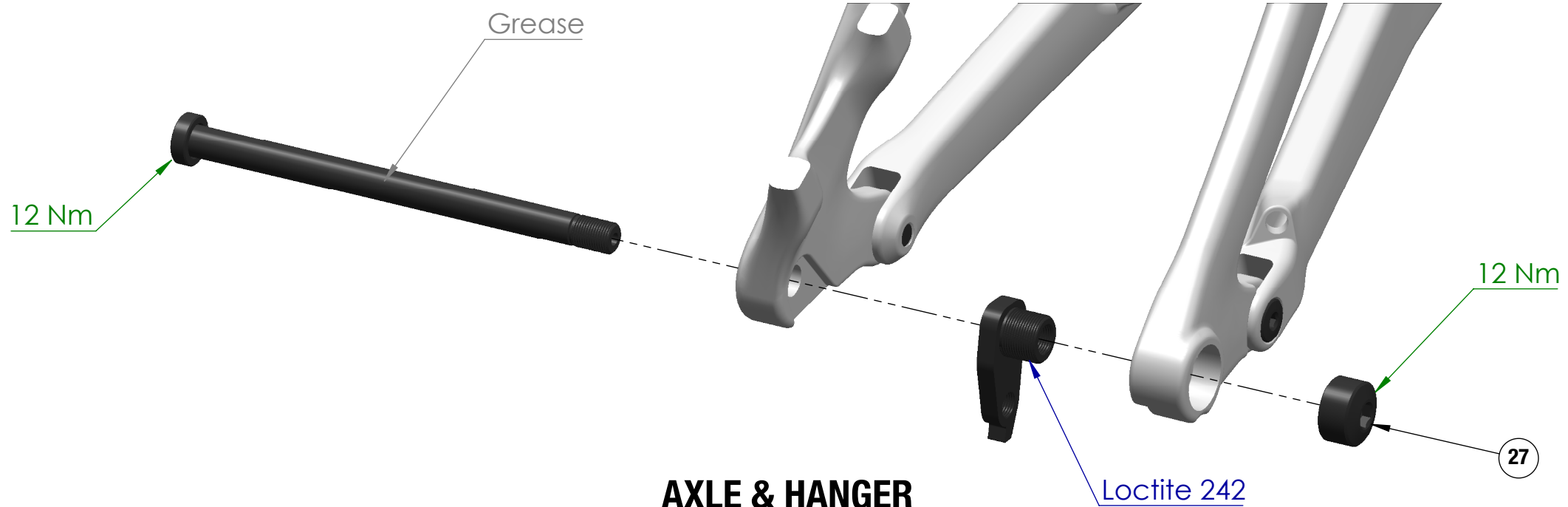
Wrap **37** around the inside of the chain stay bridge.

Align forward edge of **38** with the start of the chainring recess.

Place **36** in chainring recess.

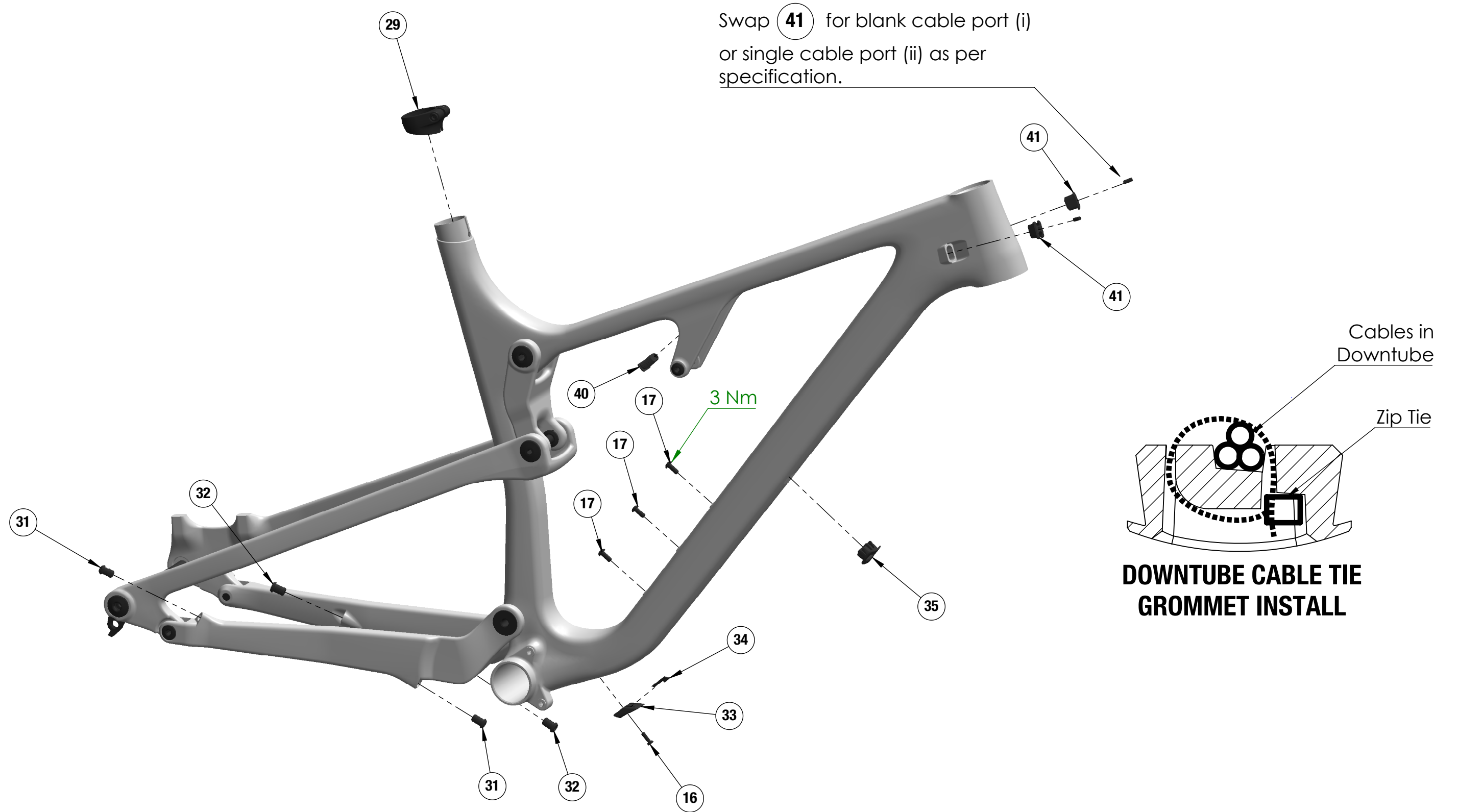


FRAME PROTECTION

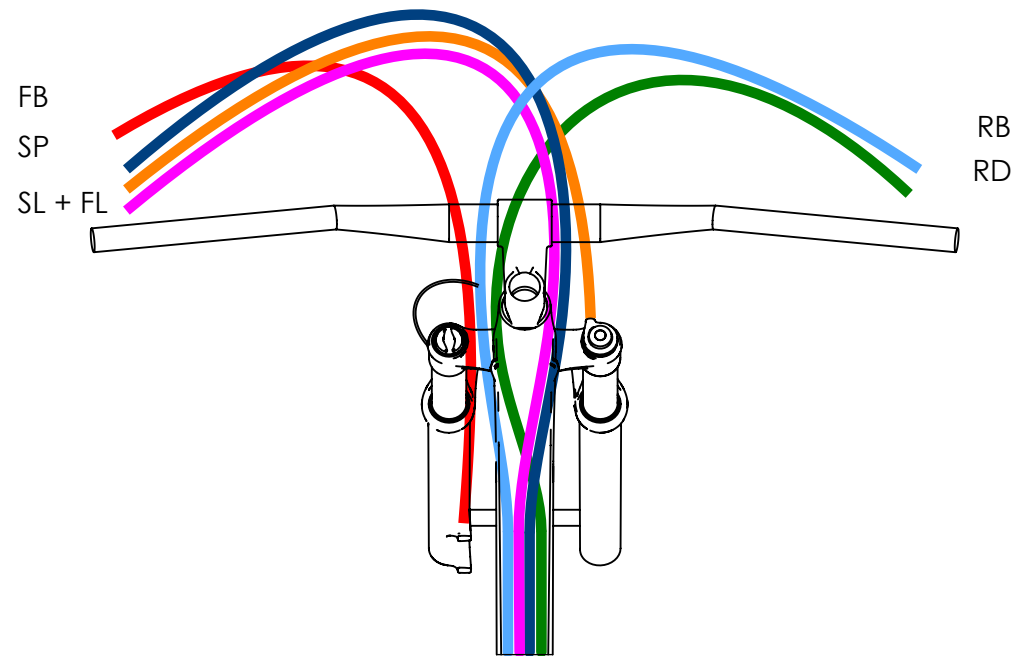


AXLE & HANGER

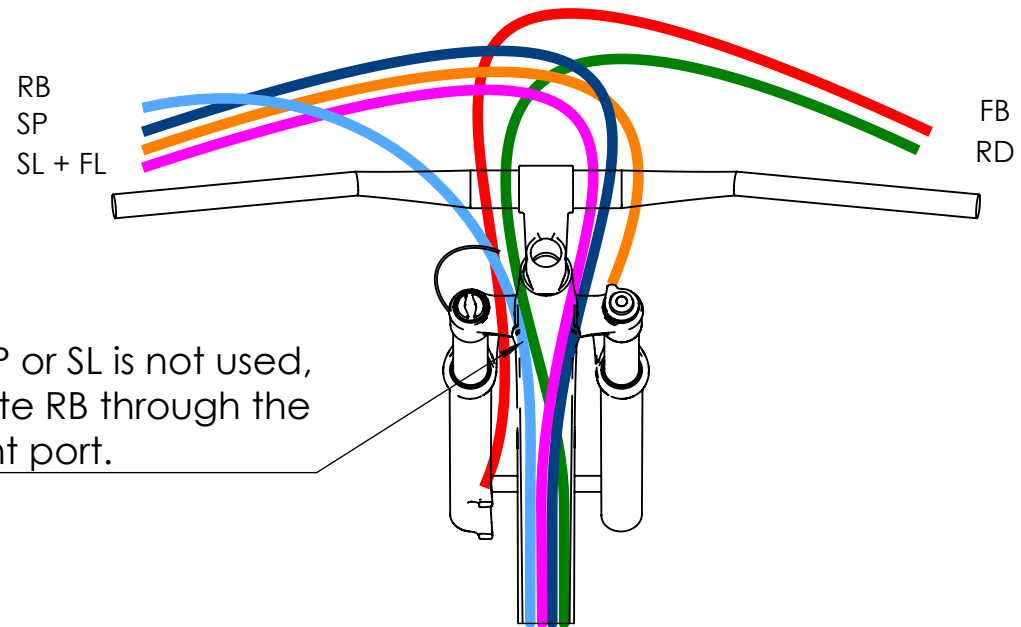
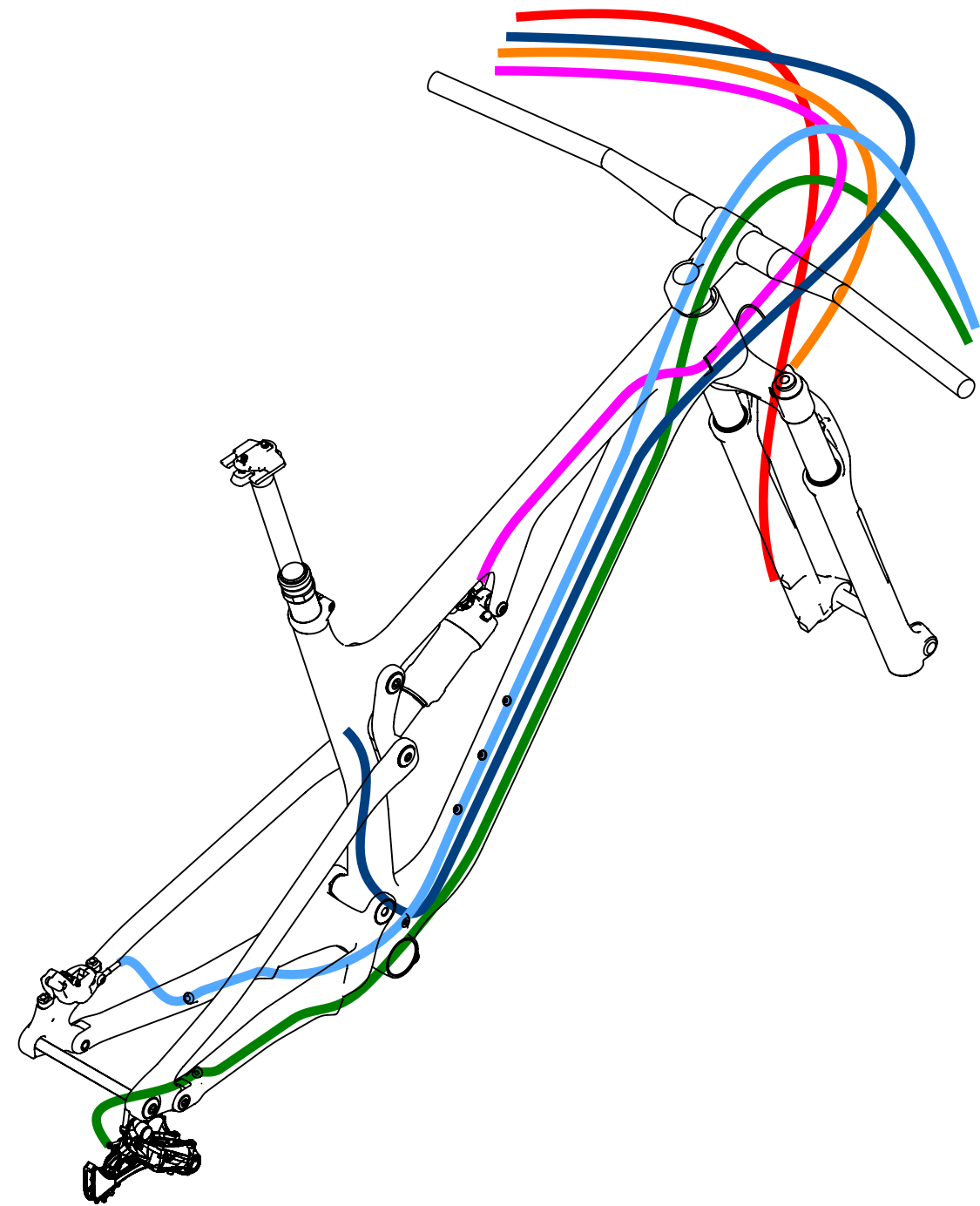
ACCESSORIES



CABLE ROUTING



STANDARD LAYOUT



If SP or SL is not used,
route RB through the
right port.

SELECT INTERNATIONAL LAYOUT

Legend	
	Front Brake Hose (FB)
	Rear Brake Hose (RB)
	Rear Derailleur Cable (RD)
	Seatpost Cable (SP)
	Shock Lockout Cale (SL)
	Fork Lockout Cable (FL)