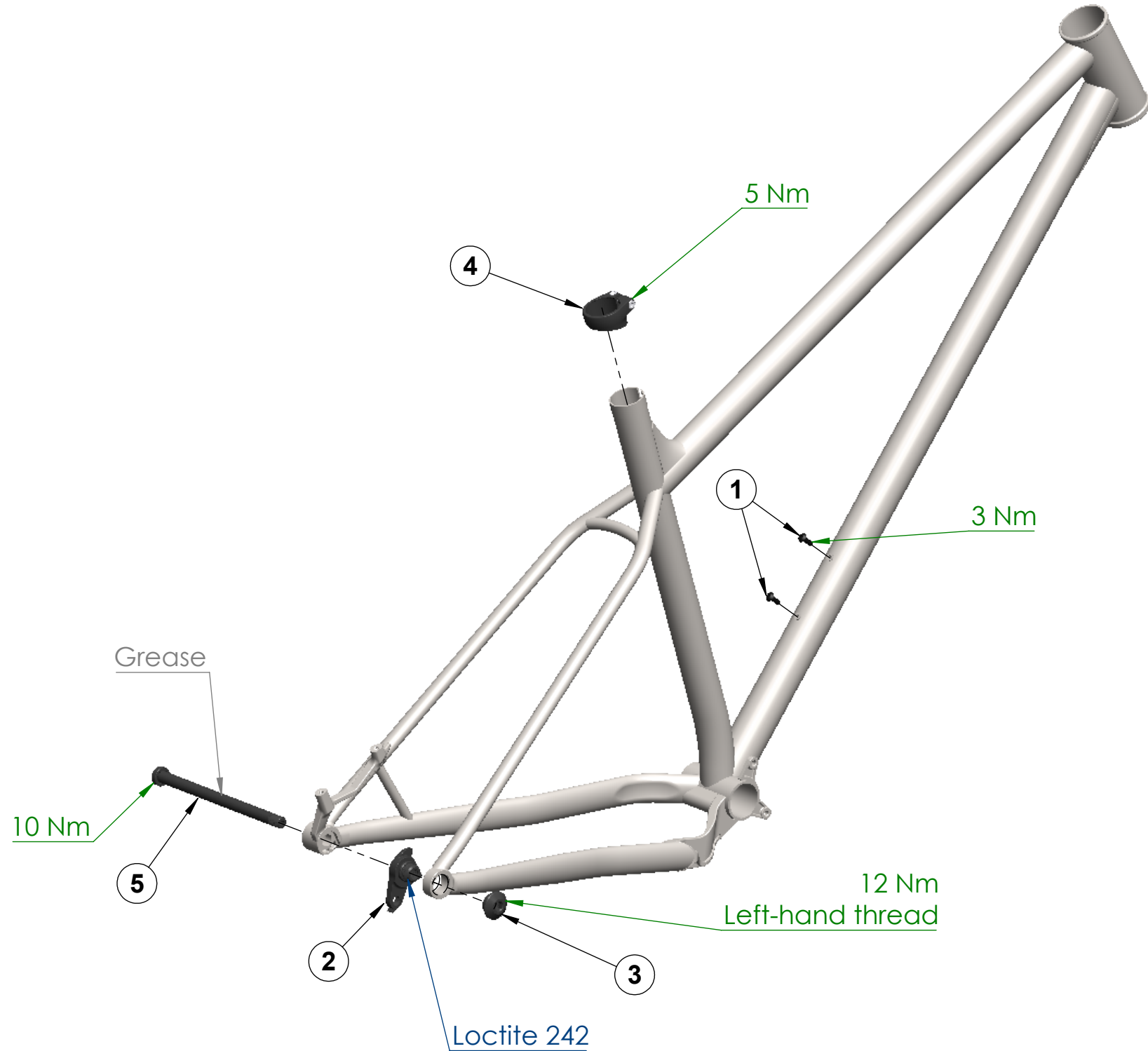


EXPLODED VIEW & BILL OF MATERIALS

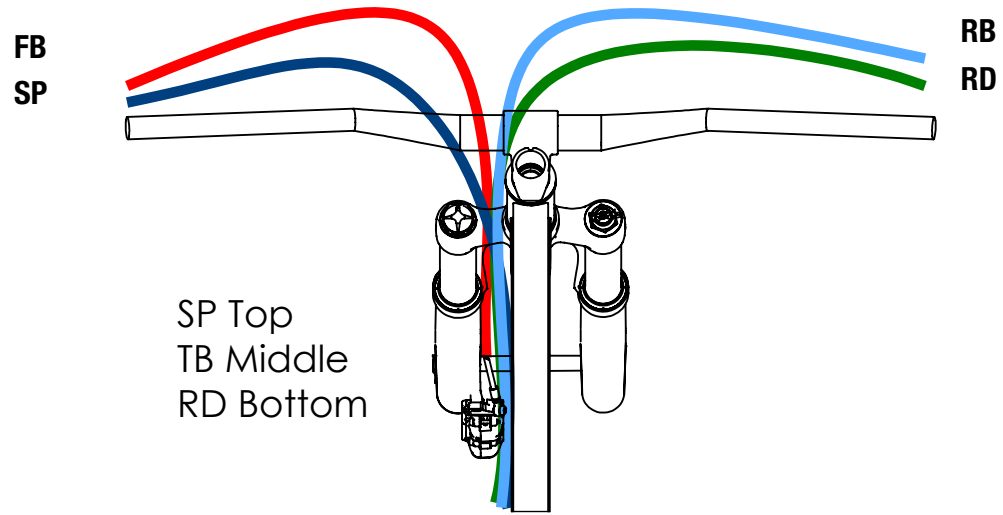
ITEM NO.	SERVICE PART NUMBER	QTY.	DESCRIPTION	MATERIAL	TORQUE
1	913400-041	2	M5X14MM BUTTON HEAD CAP	STEEL, BLACK CHROMATE	3 Nm
2	913015-007	1	RD HANGER, 2 PIECE, UDH V2.1, M12X1	7075-T6	-
3	913020-004	1	RD HANGER, 2 PIECE, UDH BOLT V2, M12X1.75	7075-T6	12 Nm
4	915000-002	1	NORCO SEATPOST CLAMP, 34.9mm	ALUMINIUM	5 Nm
5	913105-011	1	NORCO AXLE, L174, TL13 M12X1	7075-T6	10 Nm

ADDITIONAL FRAME INFORMATION	
AVAILABLE FRAME SIZES	S, M, L, XL
S.H.I.S.	ZS44/28.6 EC44/40
MAX. FORK LENGTH, OFFSET [mm]	561, 42
BB TYPE, WIDTH [mm]	THREADED BSA, 73
MAX CHAINRING SIZE	34
OLD [mm]	148
REAR BRAKE MOUNT [mm]	180 POST
SEATPOST DIAMETER [mm]	31.6
RECOMMENDED TIRE SIZE [IN.]	29" X 2.5"
SHOCK LENGTH [mm]	N/A
SHOCK STROKE [mm]	N/A
LINKARM SHOCK SPACERS (WXID) [mm]	N/A
ISCG 05 MOUNTS	YES
REAR AXLE TYPE	TA 12mm L:174mm/TL:13mm/M12 X 1mm

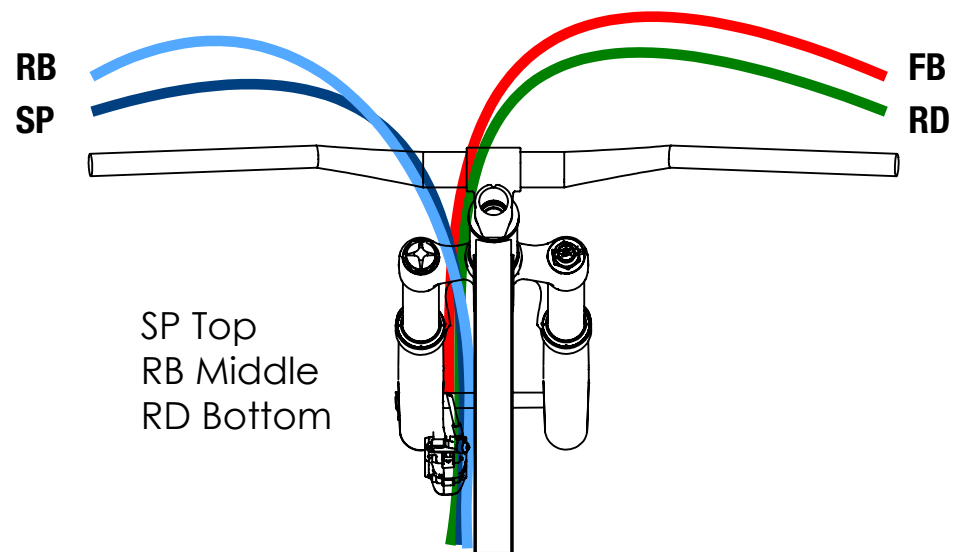
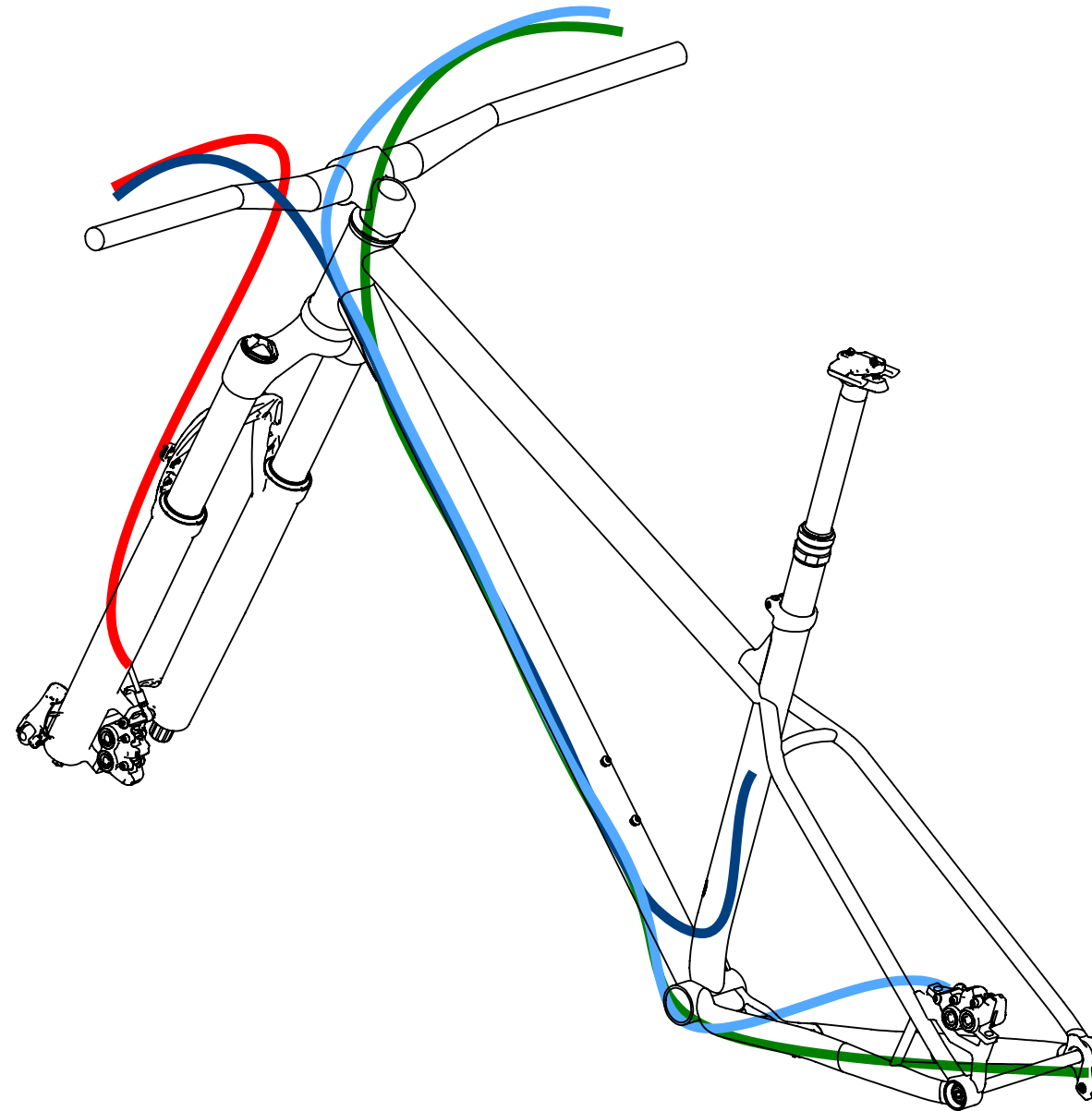
ADDITIONAL SERVICE PARTS			
ITEM NO.	SUPPORT PART NUMBER	QTY.	DESCRIPTION



CABLE ROUTING



STANDARD LAYOUT



SELECT INTERNATIONAL LAYOUT

LEGEND	
	Front Brake Hose (FB)
	Rear Brake Hose (RB)
	Rear Derailleur Cable (RD)
	Seatpost Cable (SP)