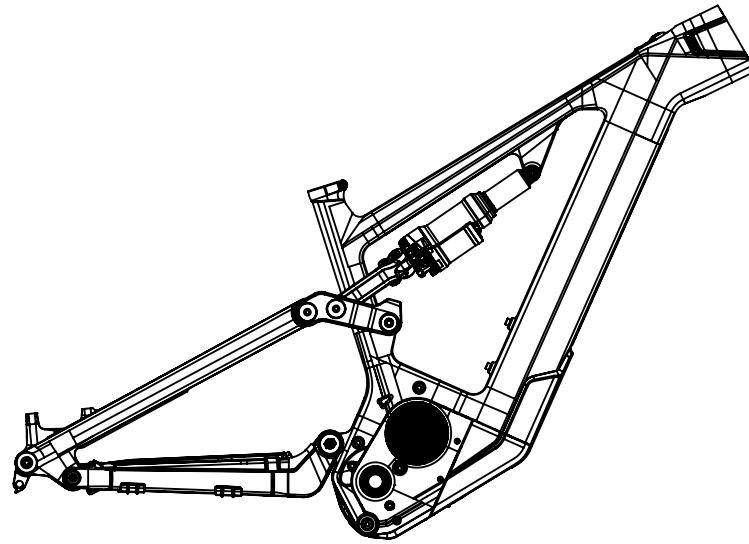


NORCO

MY22
SIGHT AND RANGE VLT CARBON
FRAME ASSEMBLY & SERVICE PARTS REFERENCE

BILL OF MATERIALS



ITEM NO.	SUPPORT PART NUMBER	QTY.	DESCRIPTION	MATERIAL
1		1	FT ASSY, SIGHT VLT CARBON, MY21	CARBON
2		1	LINKARM, SIGHT VLT, MY21	6061-T6
3		1	LINKARM, RANGE VLT AND FLUID VLT, MY21	6061-T6
4	CONTACT CUSTOMER SERVICE	1	CS ASSY, SIGHT VLT, MY21	6061-T6
5		1	SS, RH, SIGHT VLT, MY21	CARBON
6		1	SS, LH, SIGHT VLT, MY21	CARBON
7	913800-036	1	SHOCK EXTENSION, SIGHT VLT, MY21	6061-T6
8	913800-037	1	SHOCK EXTENSION, RANGE VLT, MY21	6061-T6
9	915802-010	1	MOTOR MOUNT SUBFRAME, SIGHT VLT, MY21	6061-T6
10	02915800-007/08/09	1	BMZ, NORCO BATTERY	ASSEMBLY
11	913200-6902-EM	2	6902-LLU ENDURO MAX BEARING, 15X28X7MM	ALLOY STEEL
12	913200-6901-EM	16	6901-LLU ENDURO MAX BEARING, 12X24X6MM	ALLOY STEEL
13	913500-013	1	SHAFT, DIA12, L32, M12X1.25, HEX6	7075-T6
14	913500-013-1	1	SHAFT, DIA12, L32, M12X1.25, M5X0.8 INT, HEX6	7075-T6
15	913500-030	4	SHAFT, DIA12, L27.5, M12X1.25, HEX5	7075-T6
16	913400-051	1	BOLT, M12X1.25, L32.5, HEX6	7075-T6
17	913500-029	1	BOLT, M8X1.25, L41, HEX5	7075-T6
18	913800-012	1	SHAFT, DIA8, L30, M6X1 INT, HEX5	AISI 316 SS BAR
19	913700-004	1	BOLT, M6X1, L12, HEX5	AISI 316 SS BAR
20	913500-028	1	SHAFT, DIA12, L42, M8X1.25 INT, HEX6	7075-T6
21	913400-050	1	BOLT, M14X1.5, L25, HEX6	7075-T6
22	913500-026	1	SHAFT, DIA15, L37, M8X1.25 INT, HEX8	7075-T6
23	913500-027	1	SHAFT, DIA15, L37, M8X1.25 EXT, HEX8	7075-T6
24	913400-045	6	M8X20MM LOW HEIGHT SOCKET HEAD CAP SCREW	STEEL, BLACK CHROMATE
25	913400-054	2	M6X12MM SOCKET HEAD CAP SCREW	STEEL, BLACK CHROMATE
26	913400-055	3	M5X20MM SOCKET HEAD CAP SCREW	STEEL, BLACK CHROMATE
27	913400-021	8	M5X10MM SOCKET HEAD CAP SCREW	STEEL, BLACK CHROMATE
28	913400-040	1	M5X8MM BUTTON HEAD CAP SCREW	STEEL, BLACK CHROMATE
29	913400-021	4	M5X12MM SOCKET HEAD CAP SCREW	STEEL, BLACK CHROMATE
30	913400-069	2	M4X10MM GRUB SCREW	STEEL, BLACK CHROMATE
31	913400-017	1	M3X8MM LOW HEIGHT SOCKET HEAD CAP SCREW	STEEL, BLACK CHROMATE
32	913400-003	7	M3X8MM BUTTON HEAD CAP SCREW	STEEL, BLACK CHROMATE
33	913400-056	4	M3X15MM SELF TAPPING PLASTIC SCREW	ZINC-PLATED STEEL
34	913300-003	2	SPACER, ID15, OD22, L4	7075-T6
35	913300-002	14	SPACER, ID12, OD18, L2	7075-T6
36	913300-001	4	SPACER, ID12, OD18, L4	7075-T6
37	CONTACT SHIMANO	1	SHIMANO, EW-SW100, POWER SWITCH	ASSEMBLY
38	CONTACT SHIMANO	1	SHIMANO, SH-DUE11, DROPOUT SPEED SENSOR	ASSEMBLY
39	915000-008	1	NORCO SEATPOST CLAMP, 38.4mm	6061-T6
40	913105-011	1	NORCO AXLE, L174, TL13 M12X1	7075-T6
41	913015-007	1	RD HANGER, 2 PIECE, UDH V2.1, M12X1	7075-T6
42	913020-004	1	RD HANGER, 2 PIECE, UDH BOLT V2, M12X1.75	7075-T6
43	915802-011	1	BATTERY MOUNT, SIGHT VLT, MY21	PP, 30% GLASS FILL
44	915100-019	1	DT GUARD, SIGHT VLT CARBON, MY21	EPDM RUBBER
45	915500-022	1	DRIVE UNIT COVER, RH, SIGHT VLT, MY21	PLASTIC
46	915500-023	1	DRIVE UNIT COVER, LH, SIGHT VLT, MY21	PLASTIC
47	915500-025	1	SKID GUARD, SIGHT VLT, MY21	POLYURETHANE
48	915500-026	1	CHARGE PORT DOOR, SIGHT VLT, MY21	PLASTIC
49	918000-003	1	T-HANDLE MULTI TOOL	STEEL
50	914100-040	2	GIZMO3.1, 2P LOCKING	NYLON
51	914100-046	1	CLIP, DIA4, M6X1.0	PLASTIC
52	914100-047	1	CLIP, DIA5, M6X1.0	PLASTIC
53	915200-028	1	CS PROTECTOR, SIGHT VLT, MY21	POLYPROPYLENE/ TPR
54	915300-004	1	SS INNER PROTECTOR, SIGHT CARBON, MY20	SILICONE
55	914100-045	2	GROMMET, CABLE PORT PLUG 5.5MM DIA	EPDM RUBBER
56	915100-020	1	DT PROTECTOR, SIGHT VLT, MY21	POLYURETHANE
57	915500-024-1	1	BATTERY COVER, SIGHT VLT, MY21	PLASTIC
58	915802-014	1	BATTERY UPPER CAP, SIGHT VLT, MY21	PLASTIC
59	915500-032	1	DT BATTERY SPRING, SIGHT VLT CARBON, MY21	PLASTIC
60	913300-028	1	M14 SPLIT WASHER, OD21.1, ID14.7, L2.8-3.2	316 STAINLESS STEEL

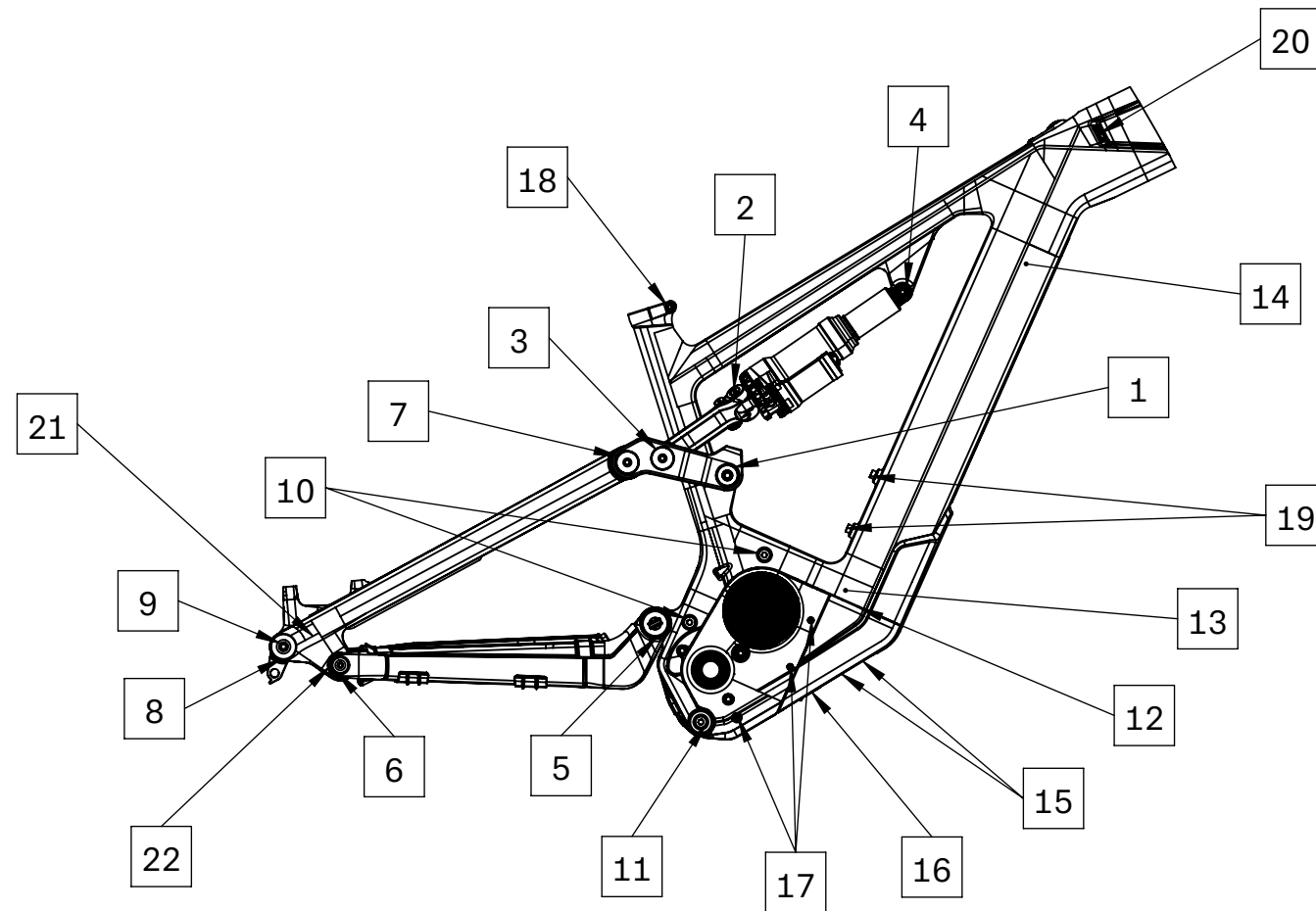
ADDITIONAL FRAME INFORMATION

MODEL	SIGHT VLT	RANGE VLT
AVAILABLE FRAME SIZES	S, M, L, XL	
WHEEL SIZE	29"	
S.H.I.S.	ZS56/28.6	ZS66/45.8
MAX. FORK LENGTH [mm]	581	596
DRIVE UNIT MOUNTING STANDARD	SHIMANO STEPS EP8	
MAX CHAINRING SIZE	38	
OLD [mm]	148	
REAR BRAKE MOUNT [mm]	180, POST	
SEATPOST DIAMETER [mm]	34.9	
RECOMMENDED TIRE SIZE	29" X 2.35" - 2.6"	
SHOCK DIMENSIONS [LENGTH X STROKE] [mm]	210 X 55	230 X 62.5
SHOCK HARDWARE - BODY (W X ID) [mm]	20 X 8	
SHOCK HARDWARE - SHAFT (W X ID) [mm]	STANDARD	
REAR AXLE TYPE	TA 12mm L174/TL13/M12X1	
CHAINGUIDE MOUNTS	SHIMANO DRIVE UNIT MOUNT	

ADDITIONAL BATTERY ACCESSORIES

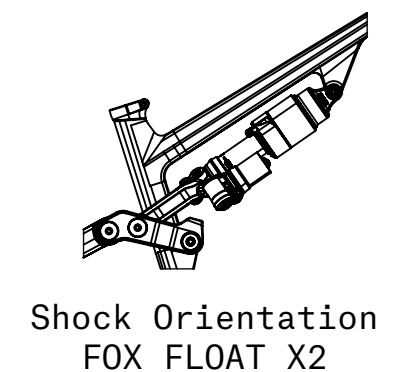
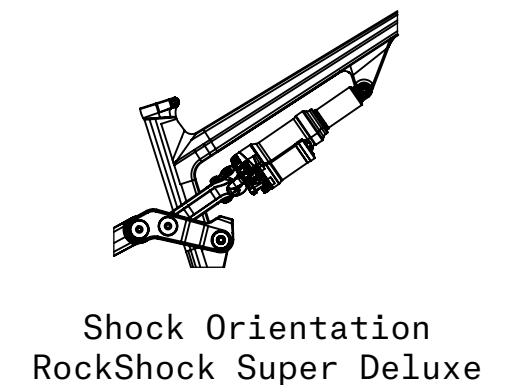
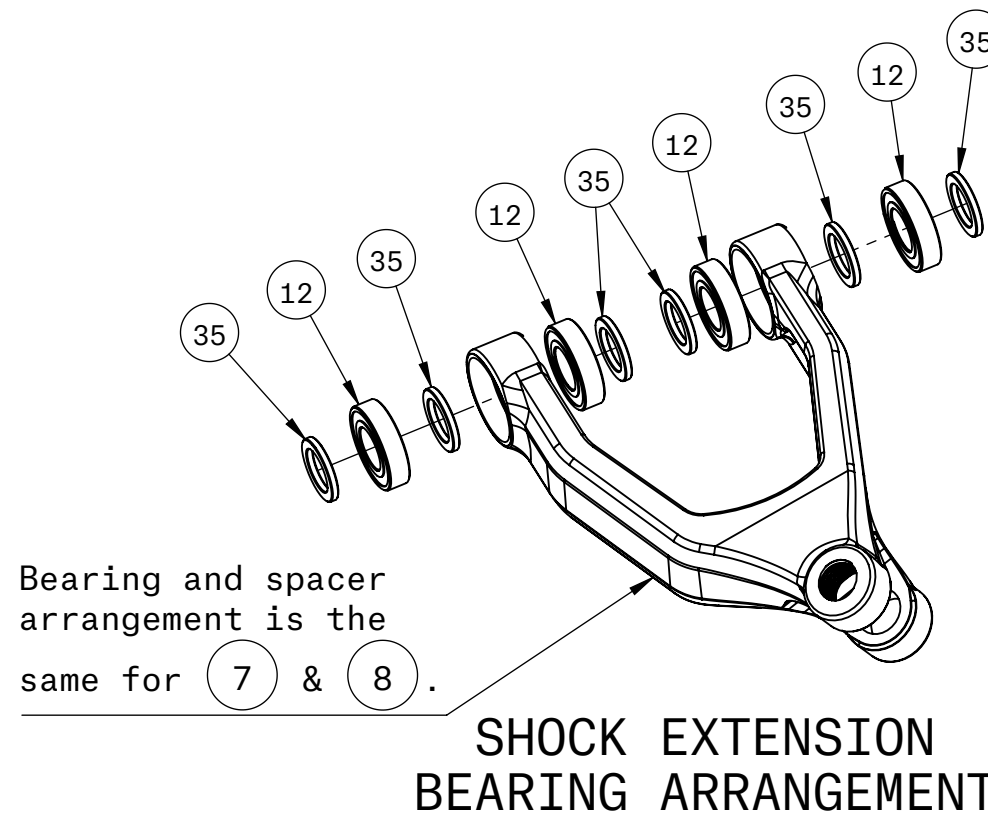
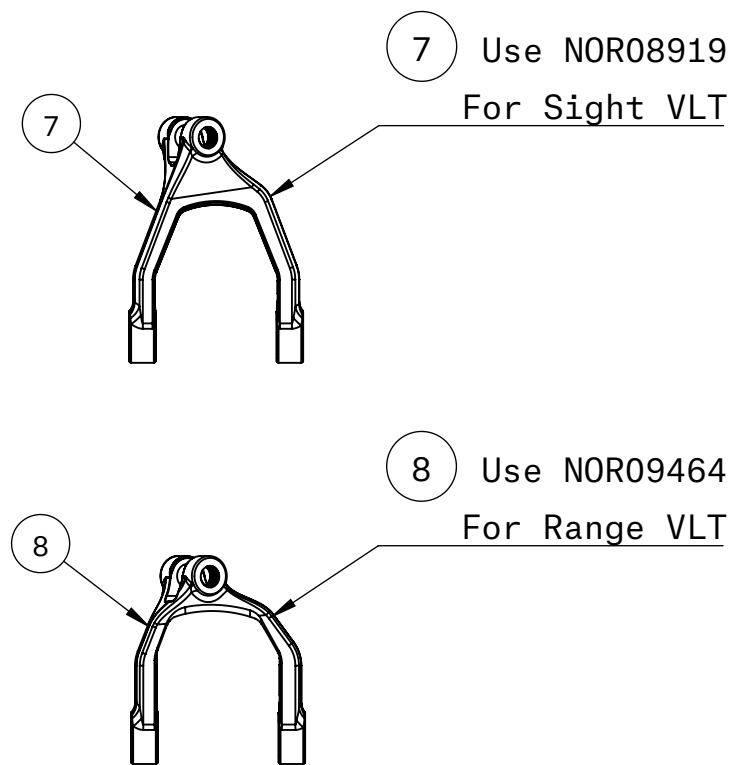
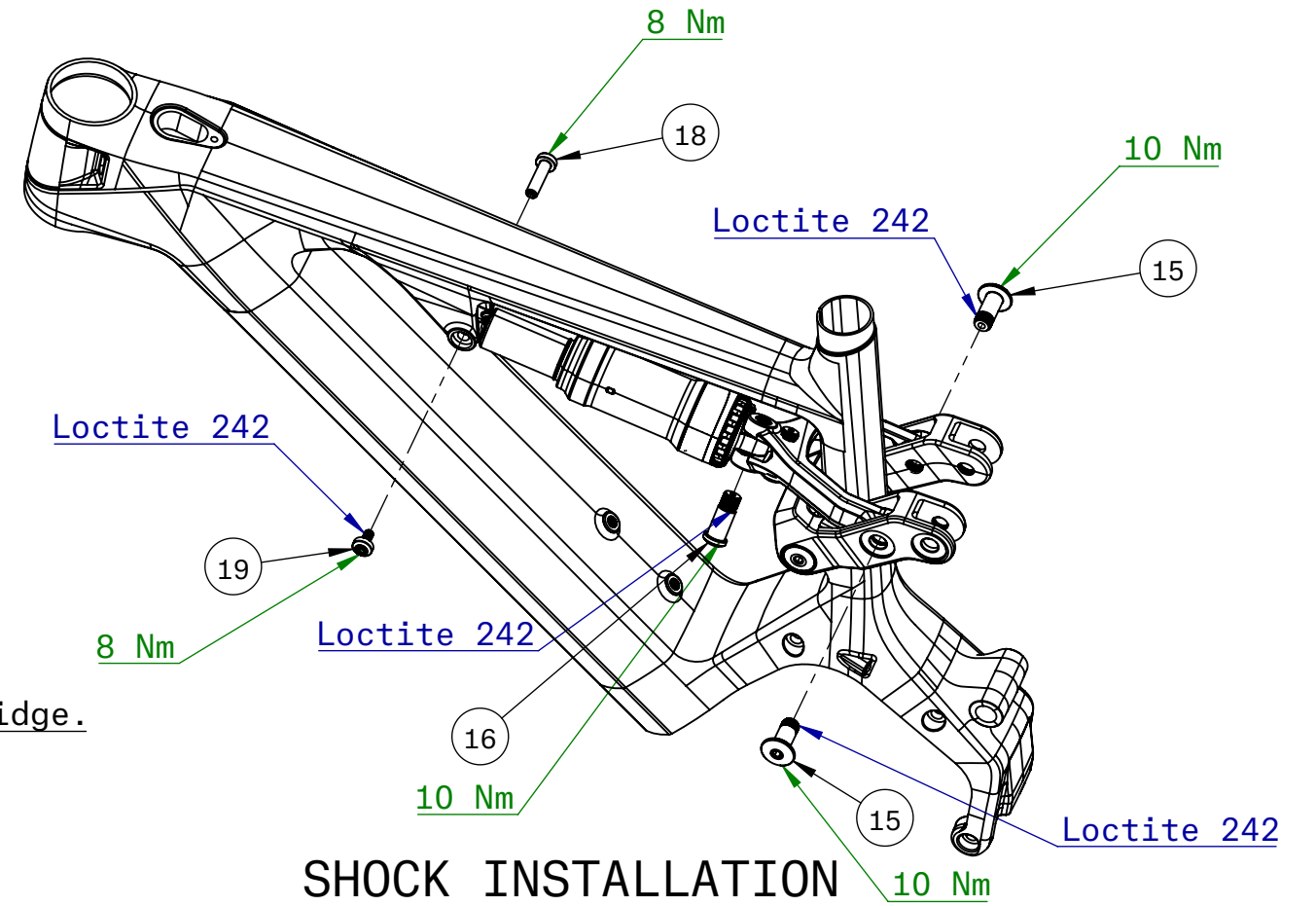
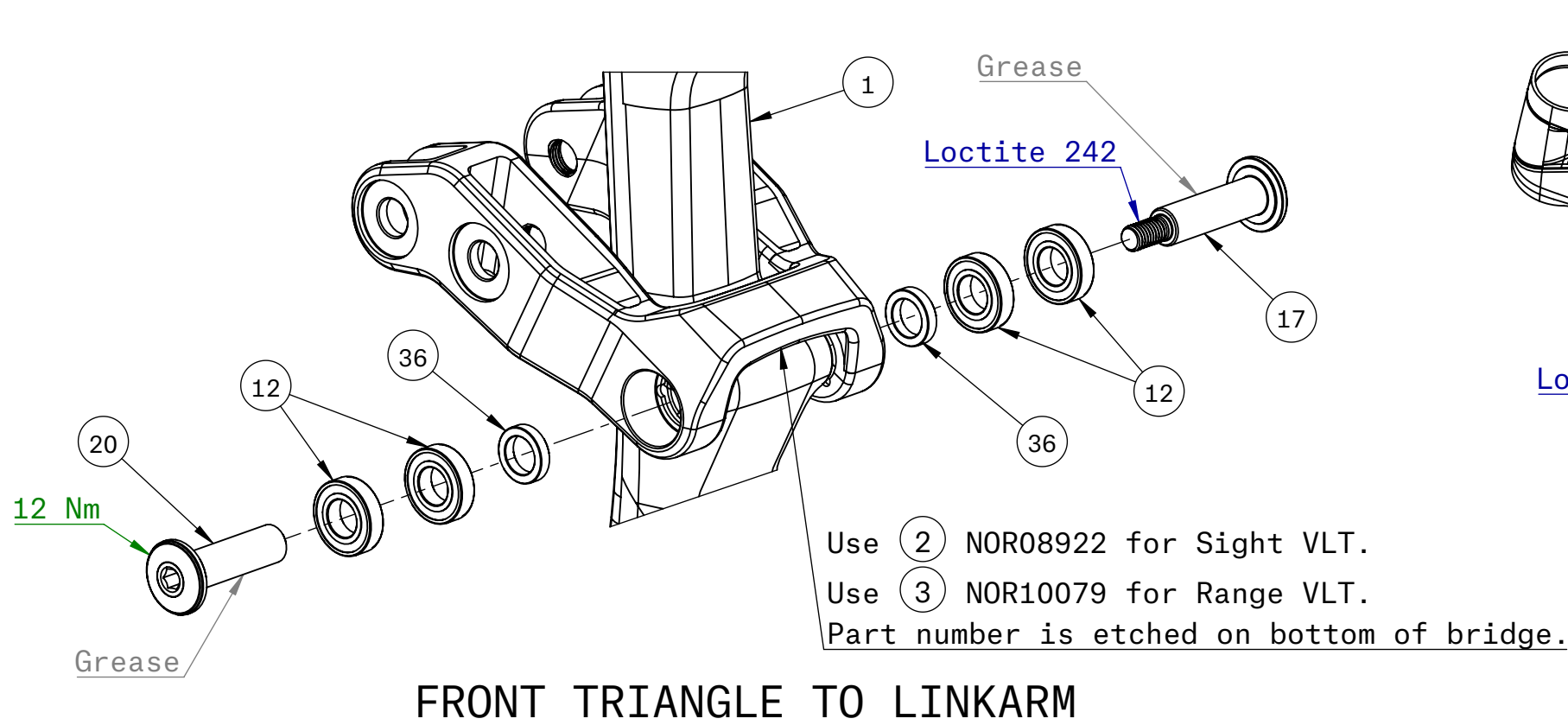
SUPPORT PART NUMBER	DESCRIPTION
915700-018	BMZ CHARGE PORT RUBBER PLUG
915700-019	BMZ CHARGER CABLE RUBBER COVER

TORQUE SEQUENCE



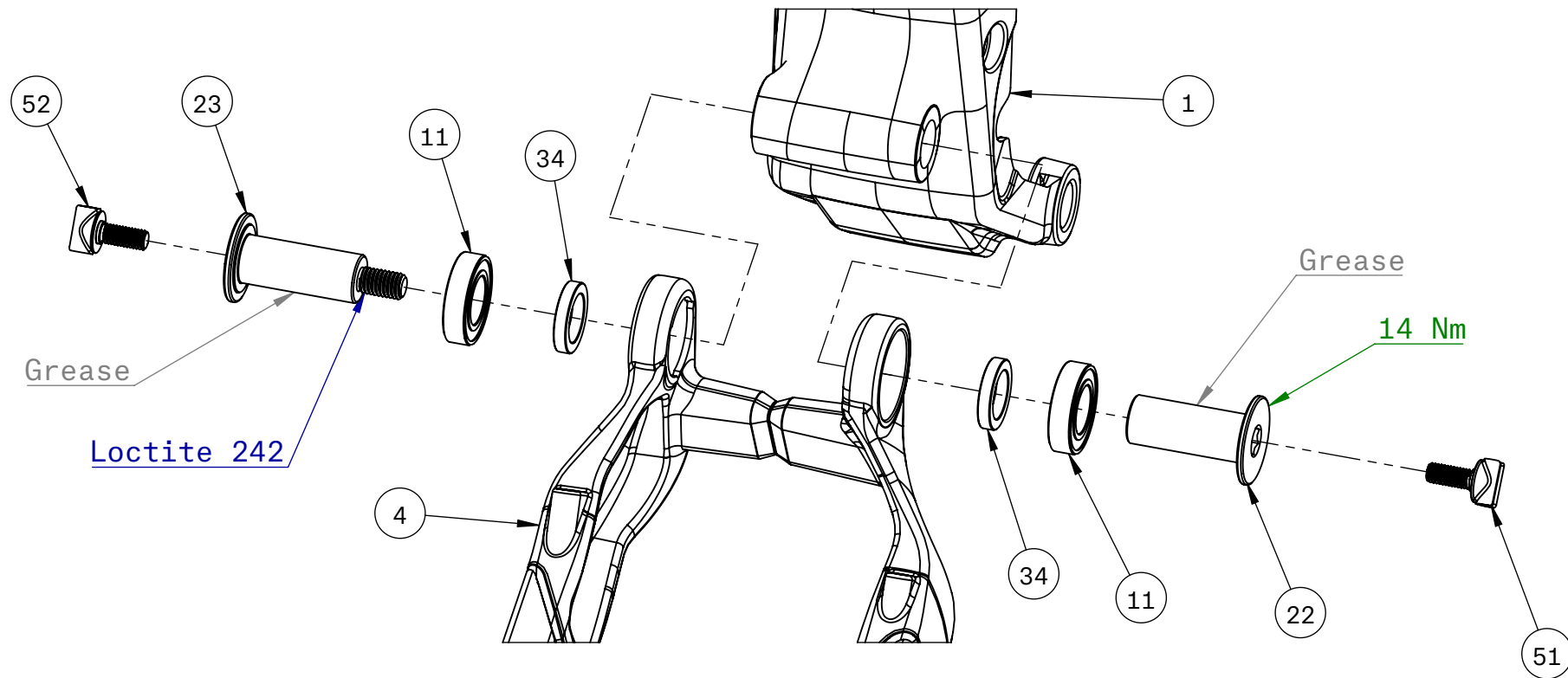
INDEX	NAME	TORQUE	TOOL
1	FRONT TRIANGLE TO LINKARM	12 Nm	5mm AND 6mm HEX
2	SHOCK TO SHOCK EXTENSION	10 Nm	6mm HEX
3	LINKARM TO SHOCK EXTENSION	10 Nm	5mm HEX
4	FRONT TRIANGLE TO SHOCK	8 Nm	5mm HEX
5	CHAIN STAY TO FRONT TRIANGLE	14 Nm	8mm HEX
6	CHAIN STAY TO SEAT STAY	10 Nm	5mm HEX
7	LINKARM TO SEAT STAY	10 Nm	5mm HEX
8	HANGER	20 Nm (LH)	8mm HEX
9	AXLE	10 Nm	6mm HEX
10	DRIVE UNIT TO FRONT TRIANGLE	10 Nm	5mm HEX
11	SUBFRAME TO FRONT TRIANGLE 1	10 Nm	5mm HEX
12	SUBFRAME TO FRONT TRIANGLE 2	6 Nm	5mm HEX
13	BATTERY MOUNT TO BATTERY	4 Nm	4mm HEX
14	BATTERY SPRING TO BATTERY	4 Nm	4mm HEX
15	BATTERY COVER TO BATTERY MOUNT	4 Nm	4mm HEX
16	BATTERY MOUNT TO SUBFRAME	8 Nm	6mm HEX
17	DRIVE UNIT COVERS	2 Nm	2mm HEX
18	SEATPOST CLAMP	5 Nm	4mm HEX
19	BOTTLE CAGE BOLTS	3 Nm	4mm HEX
20	CABLE PORT GROMMETS	1 Nm	2mm HEX
21	SPEED SENSOR SCREW	0.6 Nm	#10 TORX
22	CHAIN STAY PROTECTOR SCREW	2 Nm	3 mm HEX

PIVOT HARDWARE

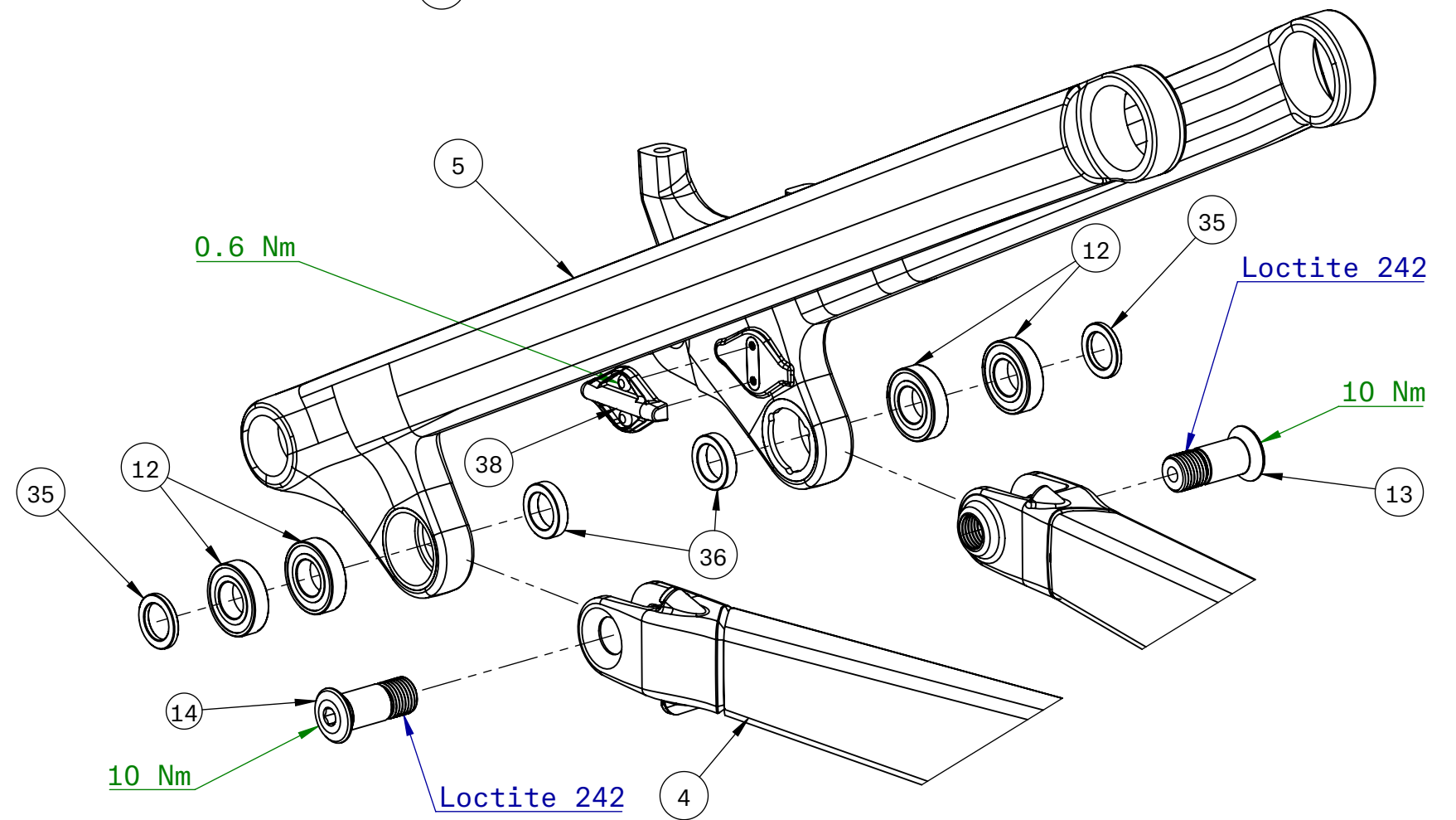


Model identifier is etched on bottom of the shock extension.

PIVOT HARDWARE

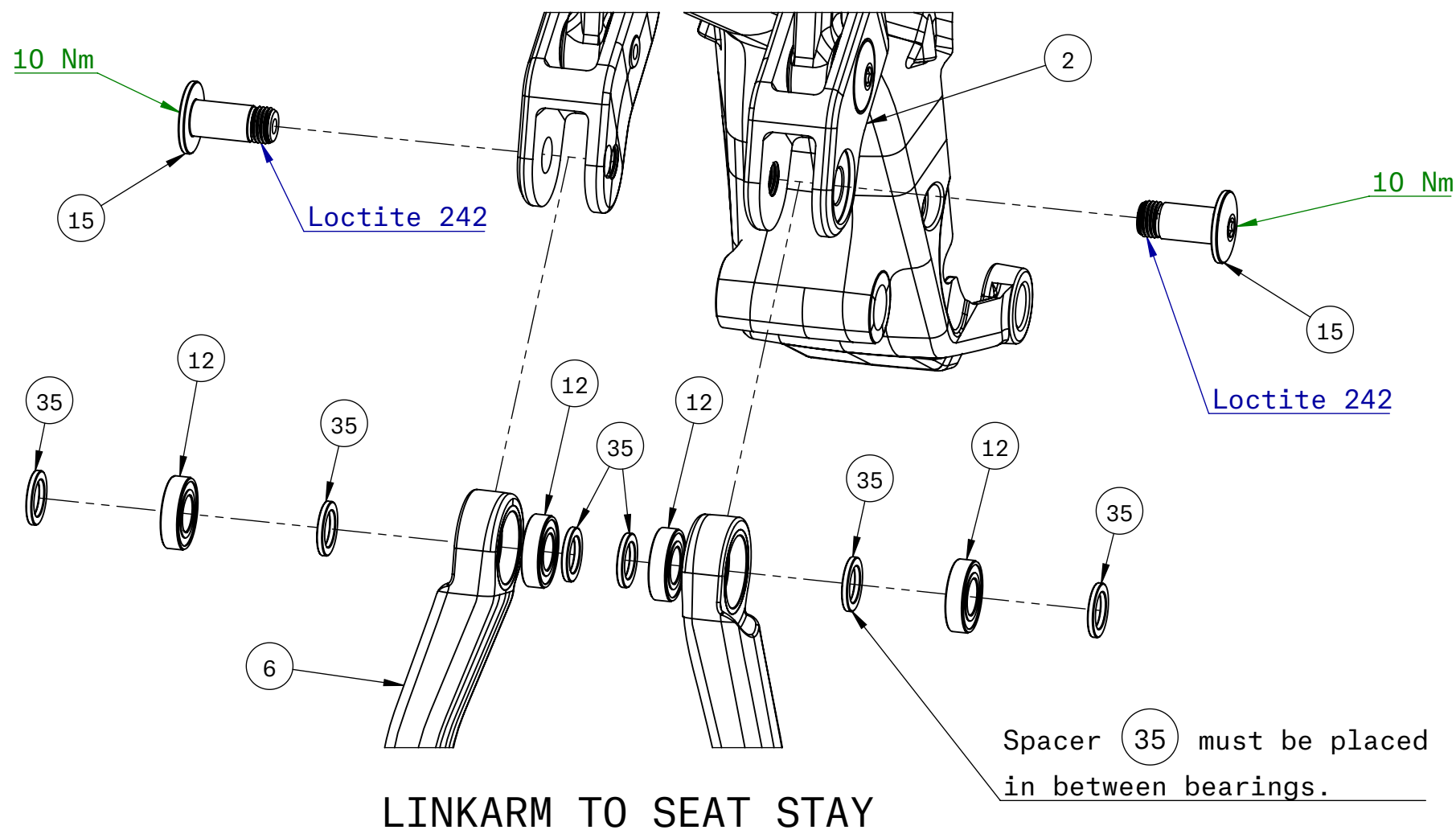


CHAIN STAY TO FRONT TRIANGLE

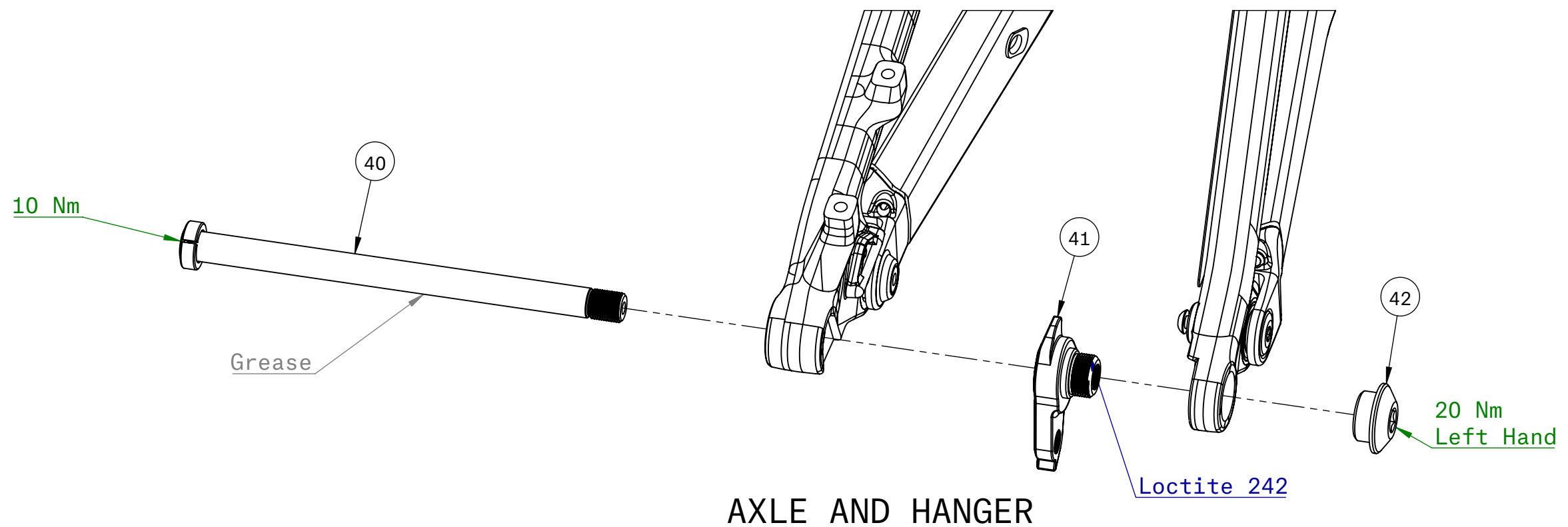


CHAIN STAY TO SEAT STAY

PIVOT HARDWARE

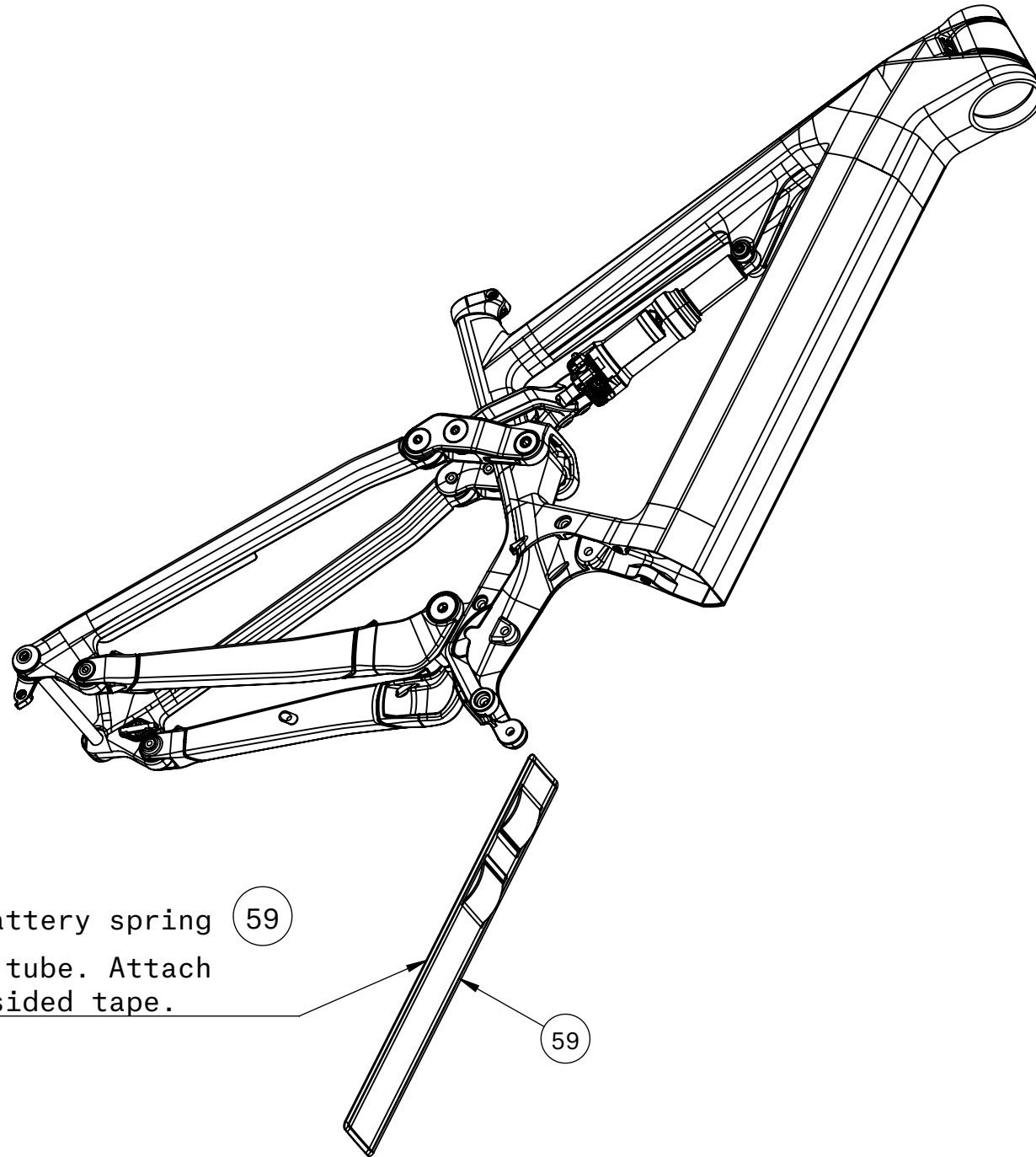


LINKARM TO SEAT STAY

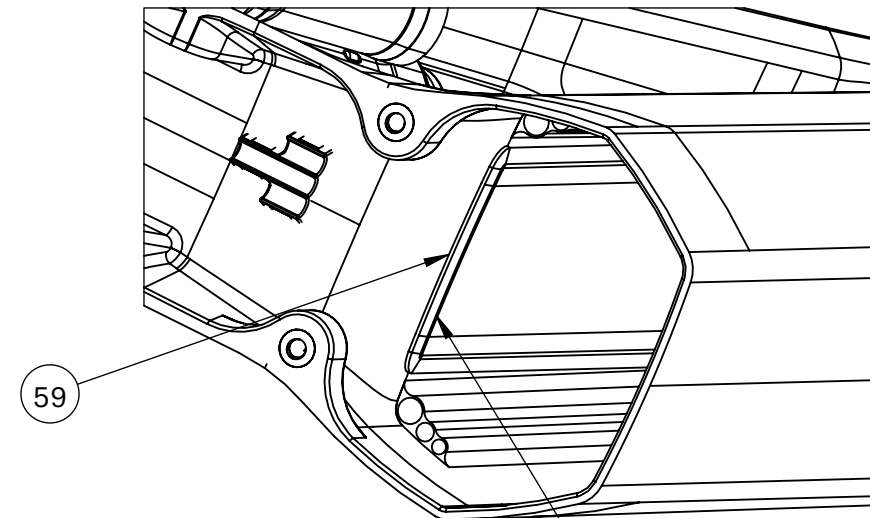


AXLE AND HANGER

BATTERY SPRING

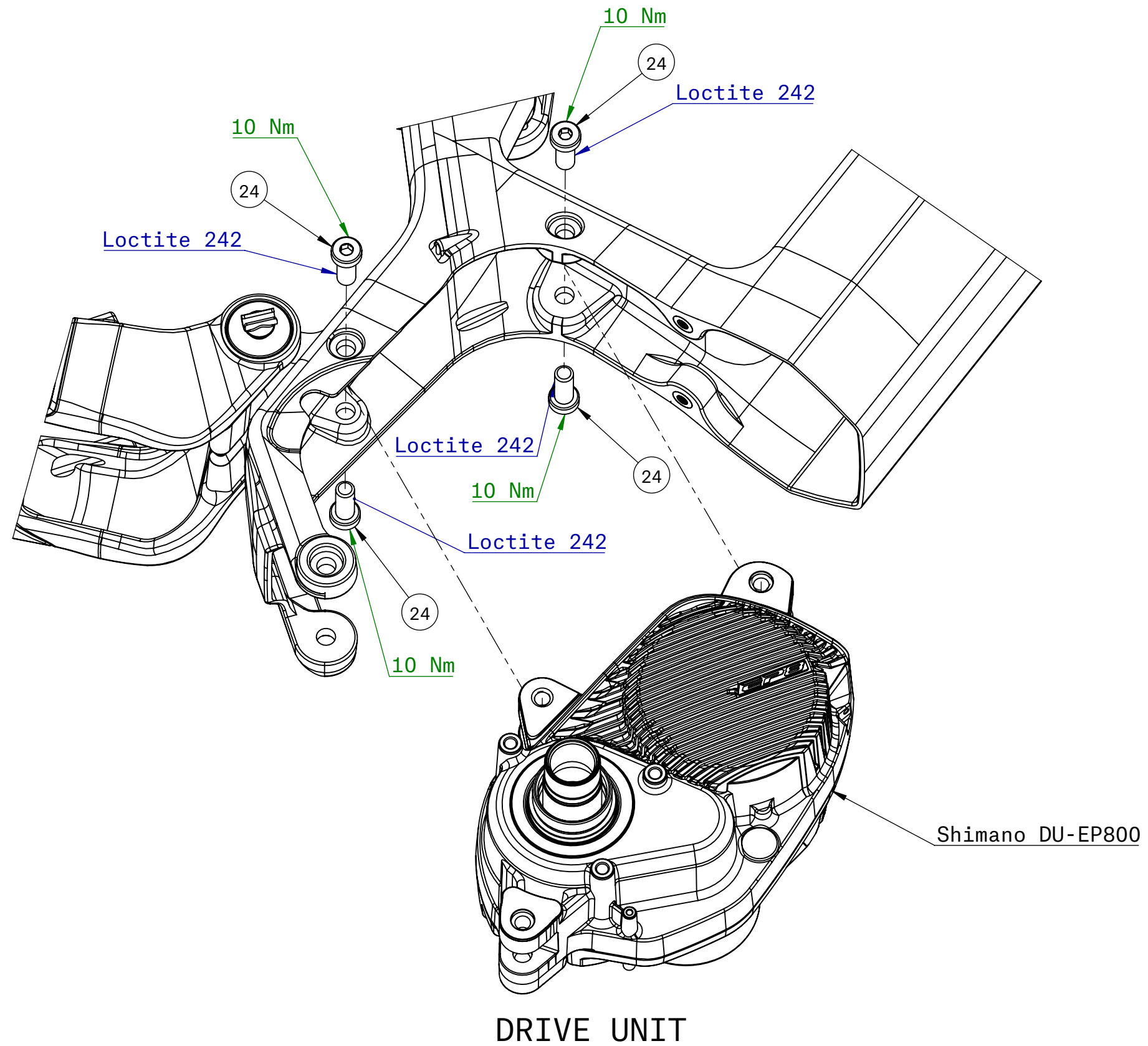


Install the battery spring (59) into the down tube. Attach using double sided tape.

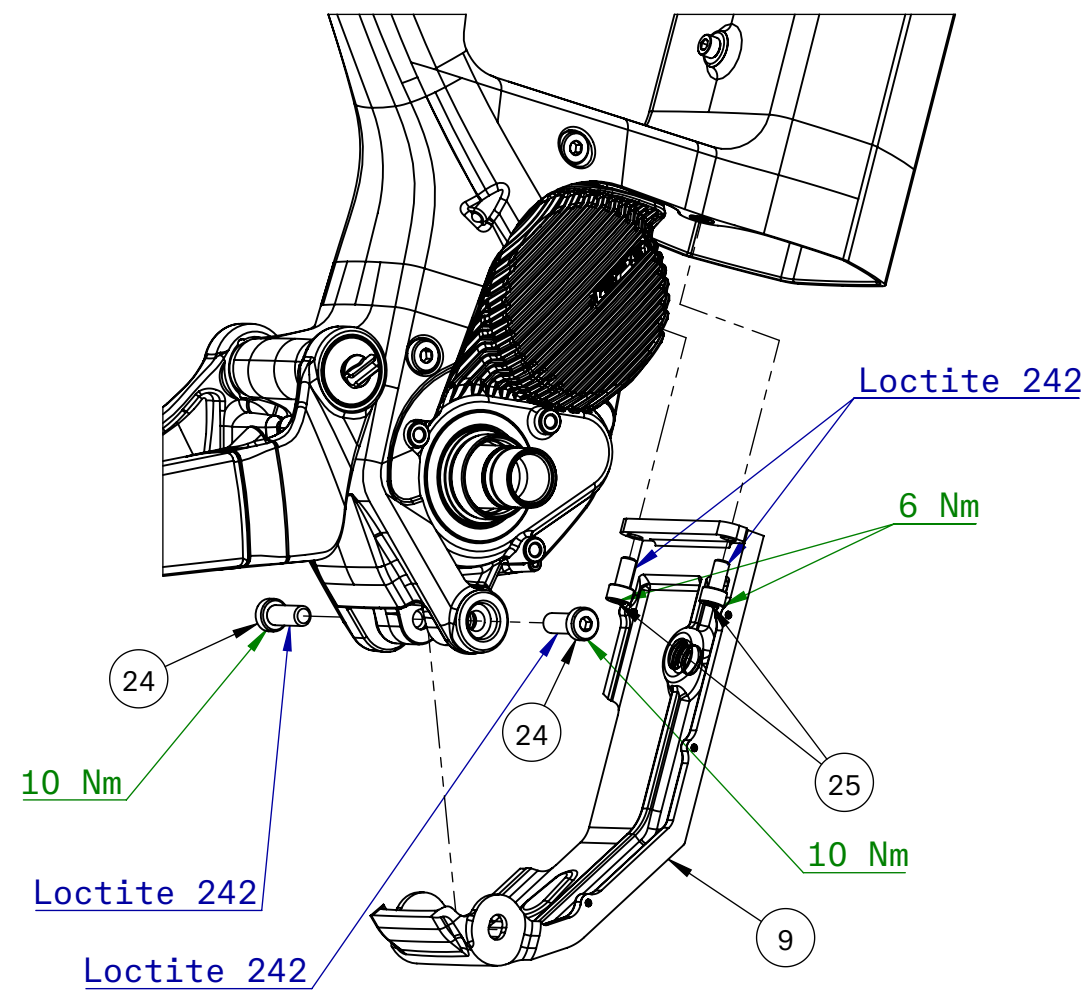


Align the end of the battery spring with the exits of the internal cable housing channels.

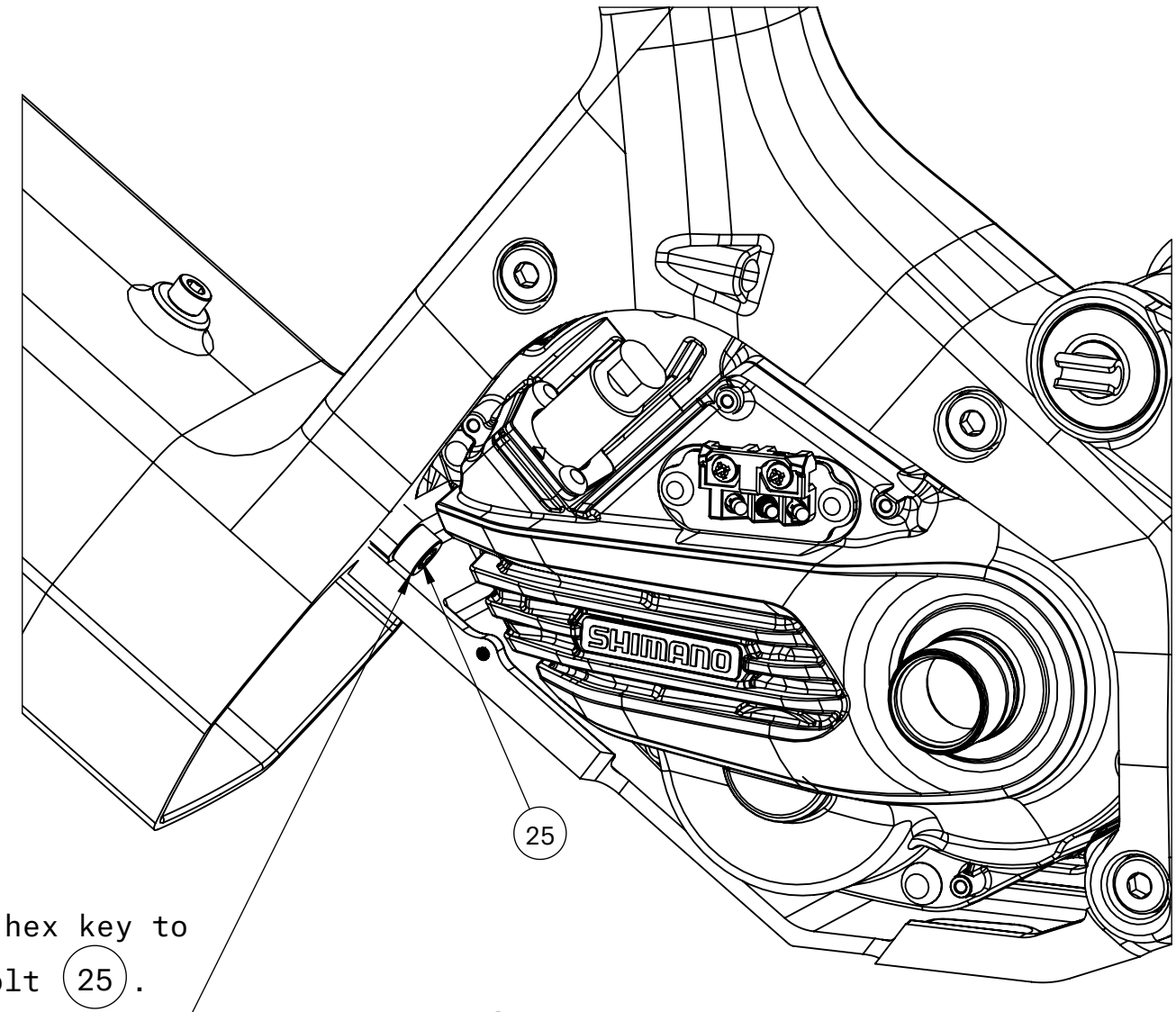
DRIVE UNIT



SUBFRAME



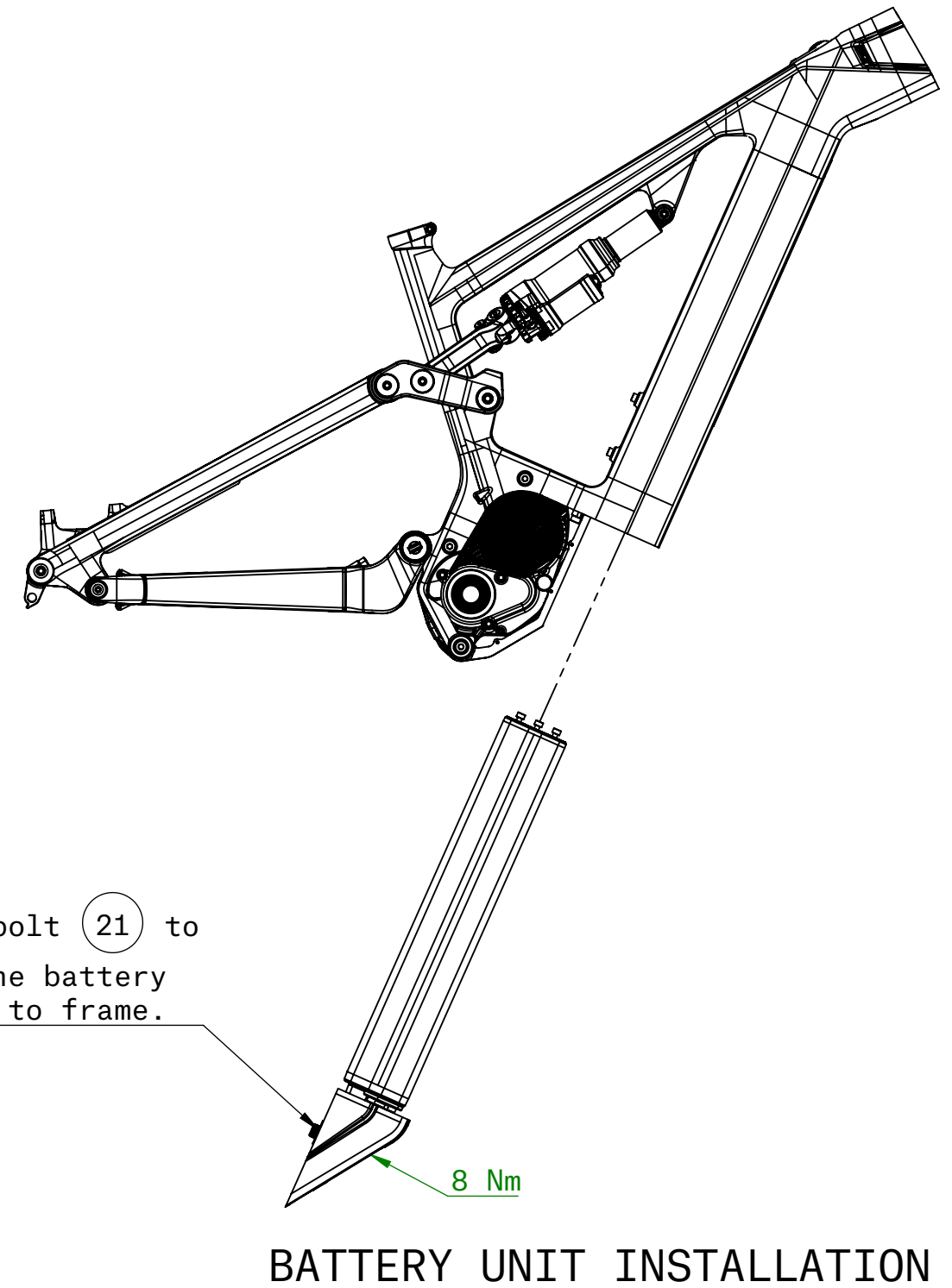
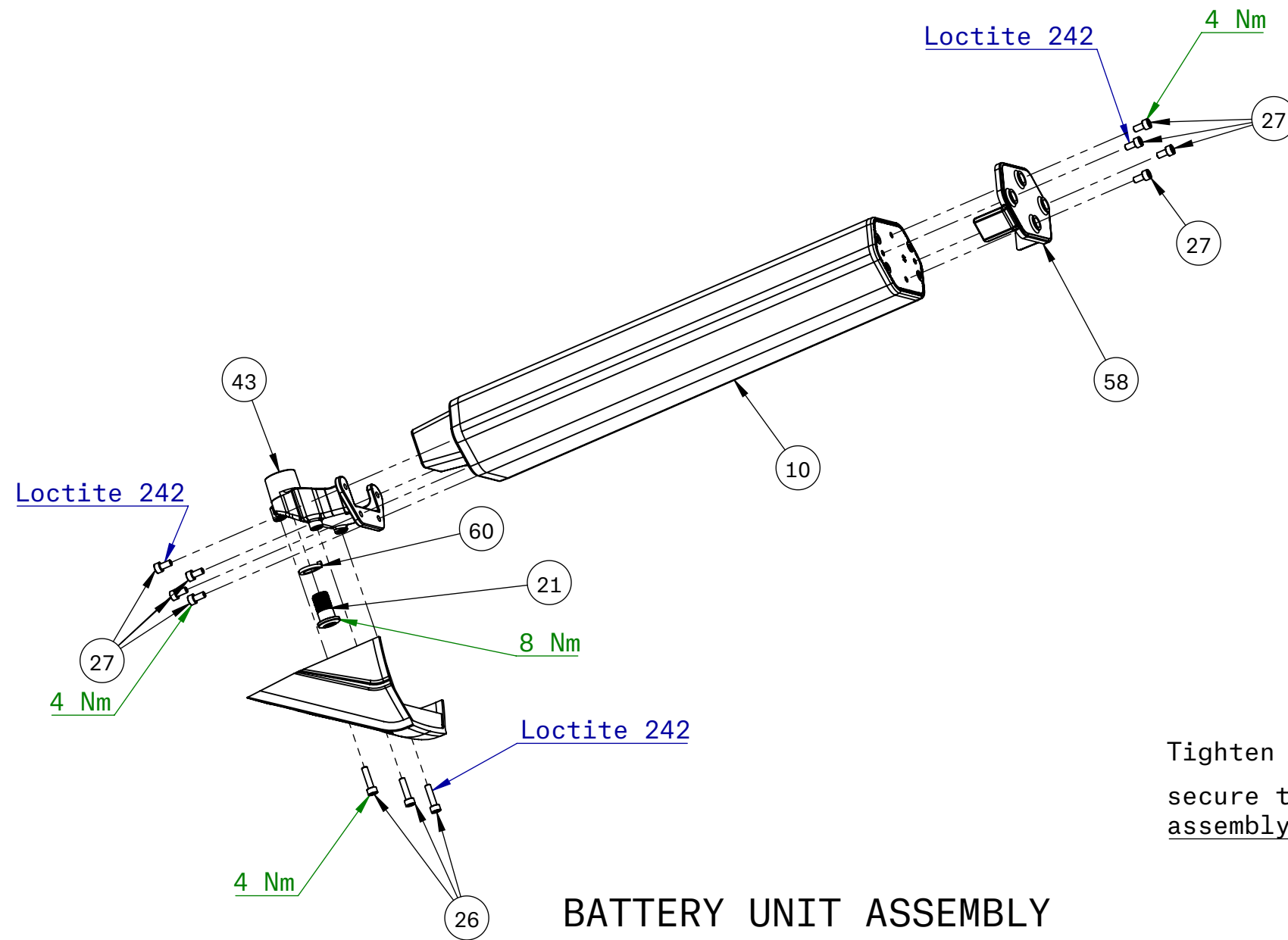
SUBFRAME
DRIVE SIDE VIEW



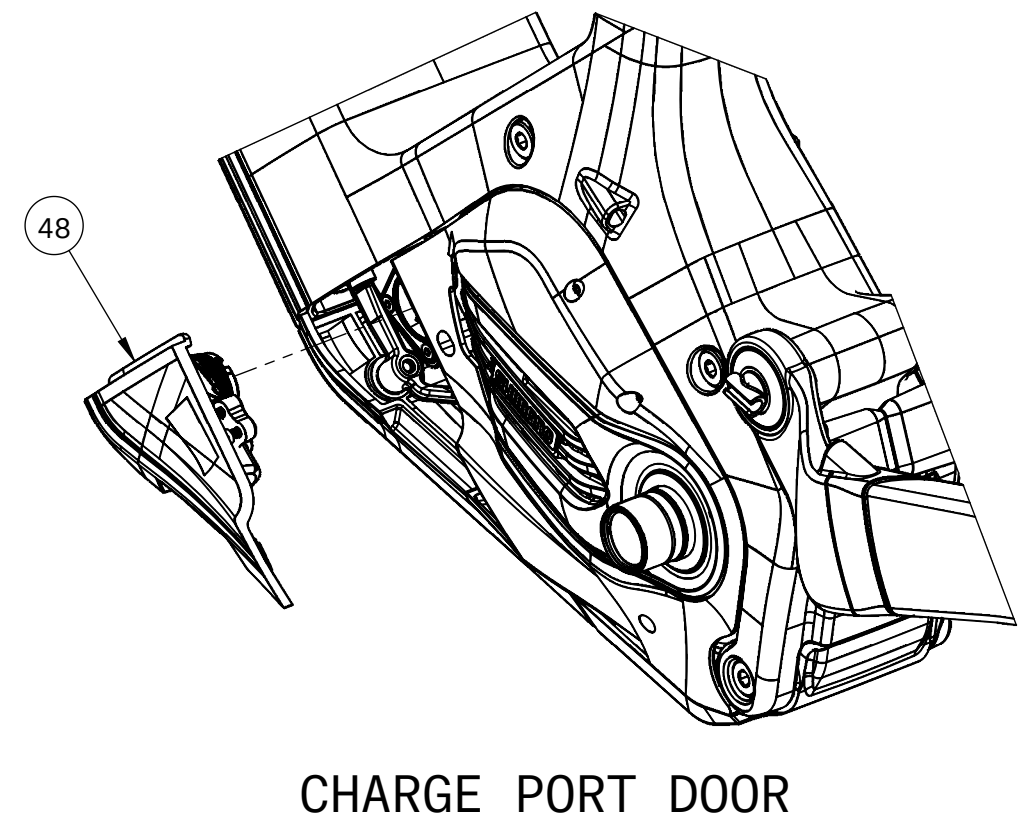
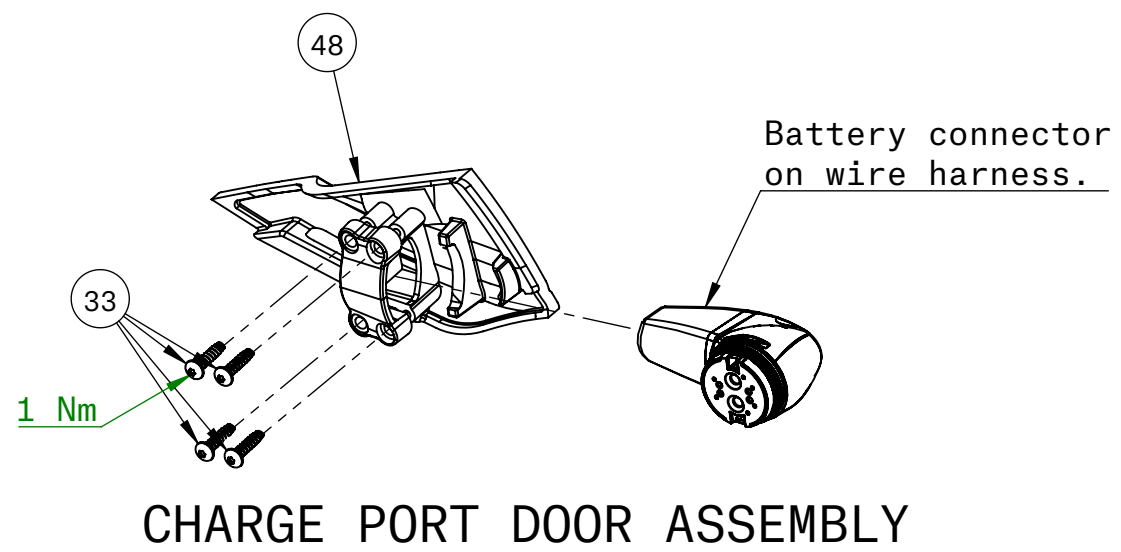
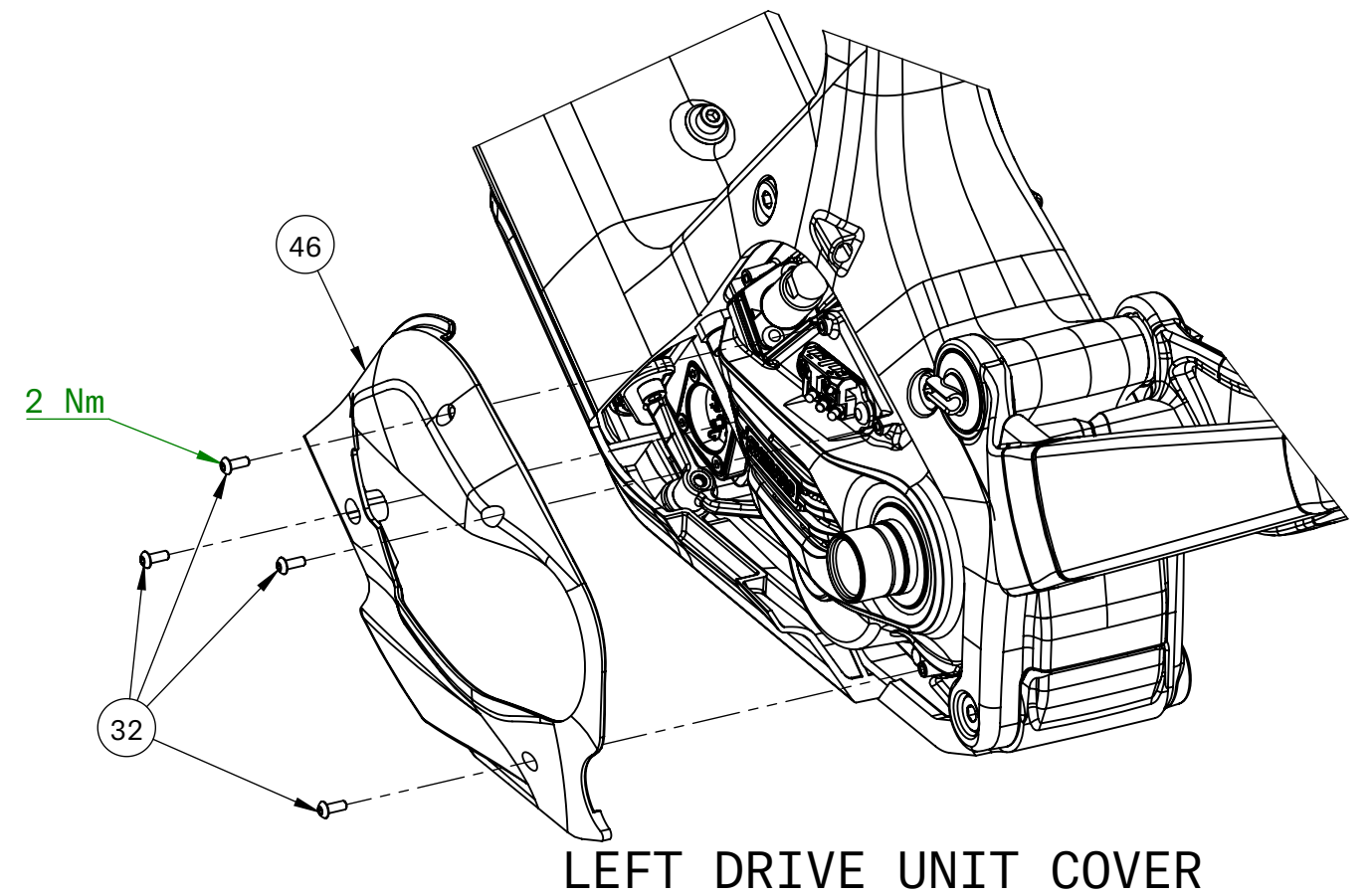
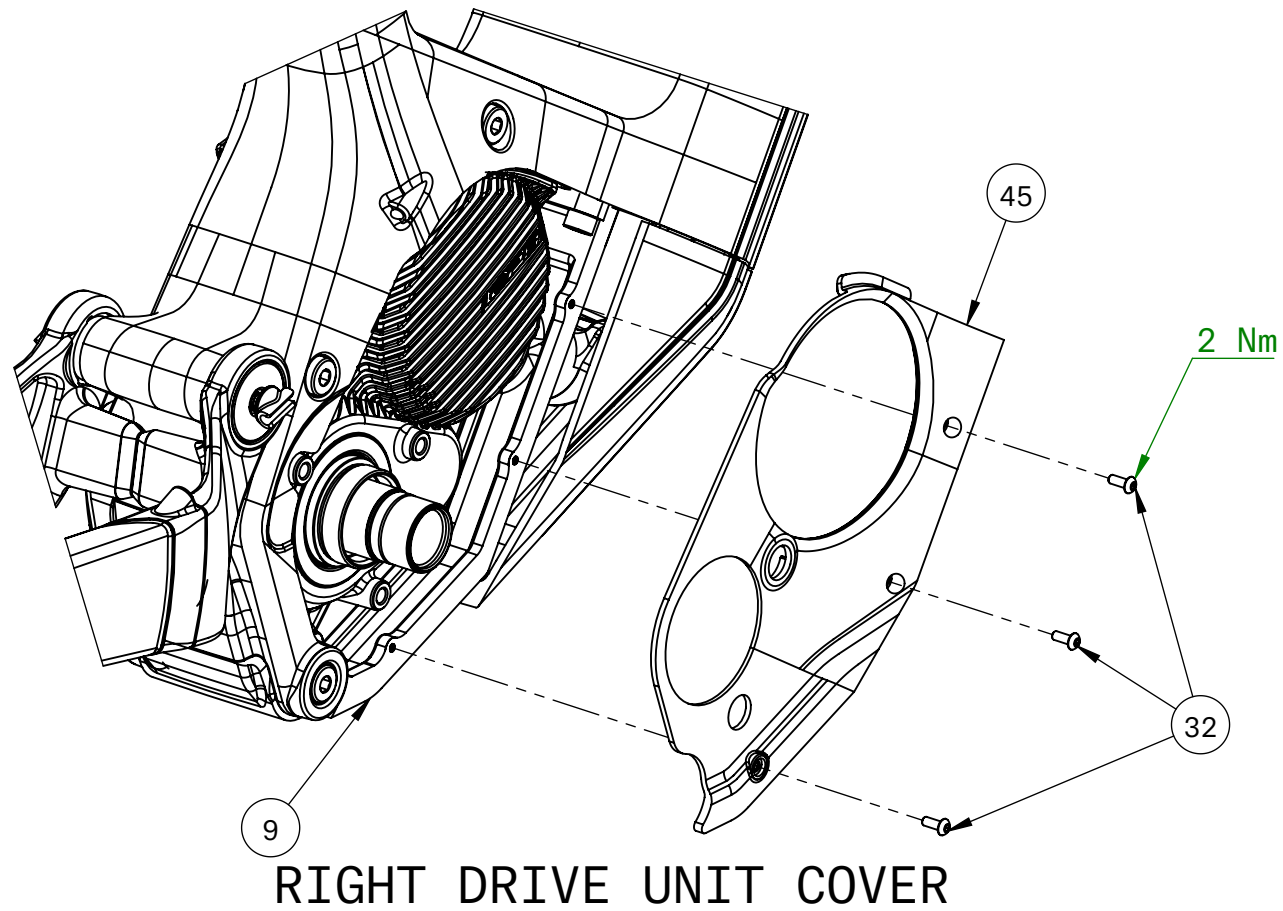
SUBFRAME
NON-DRIVE SIDE VIEW

Note: Tighten all drive side bolts to specified torque before repeating with non-drive side bolts.

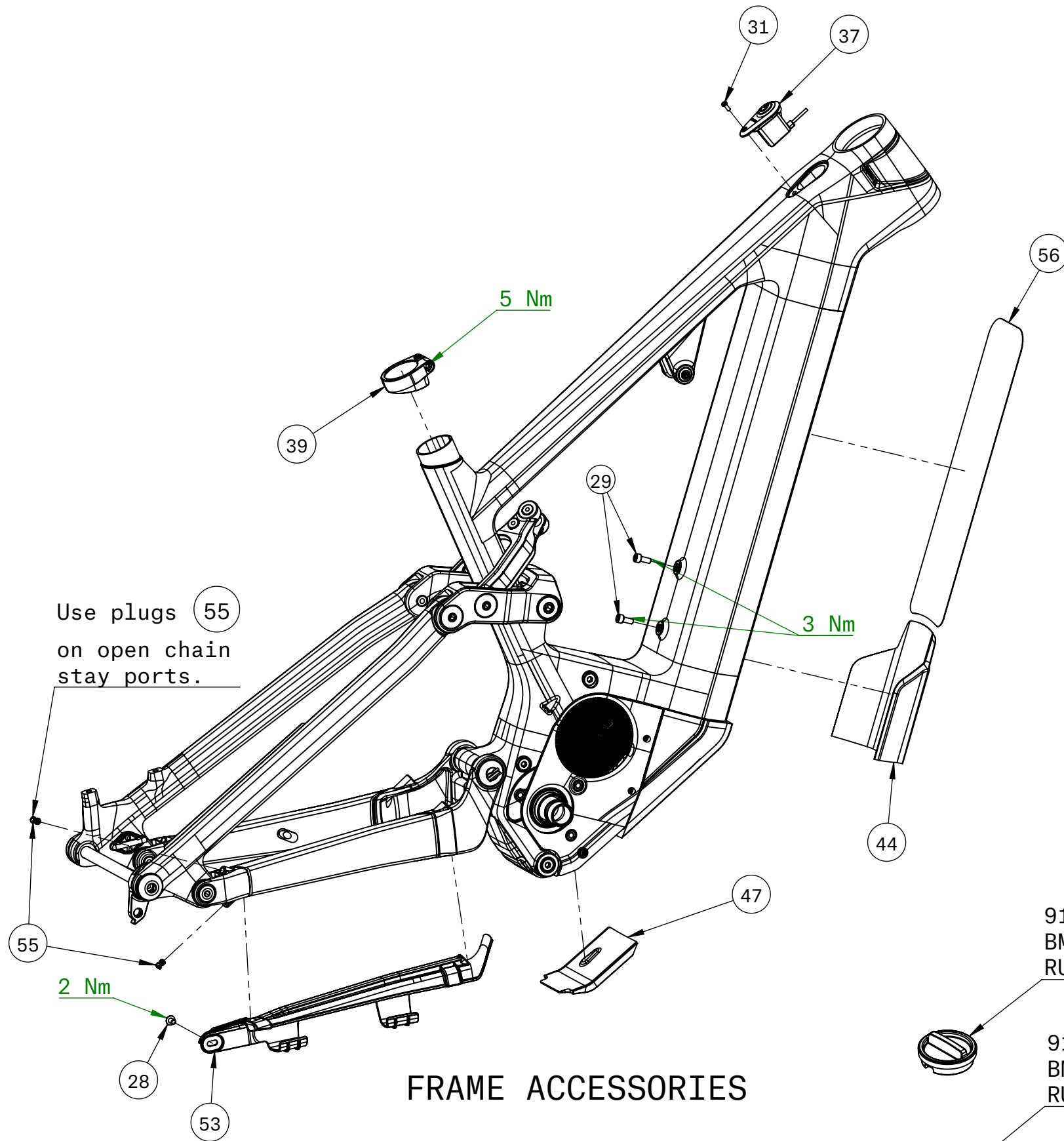
BATTERY



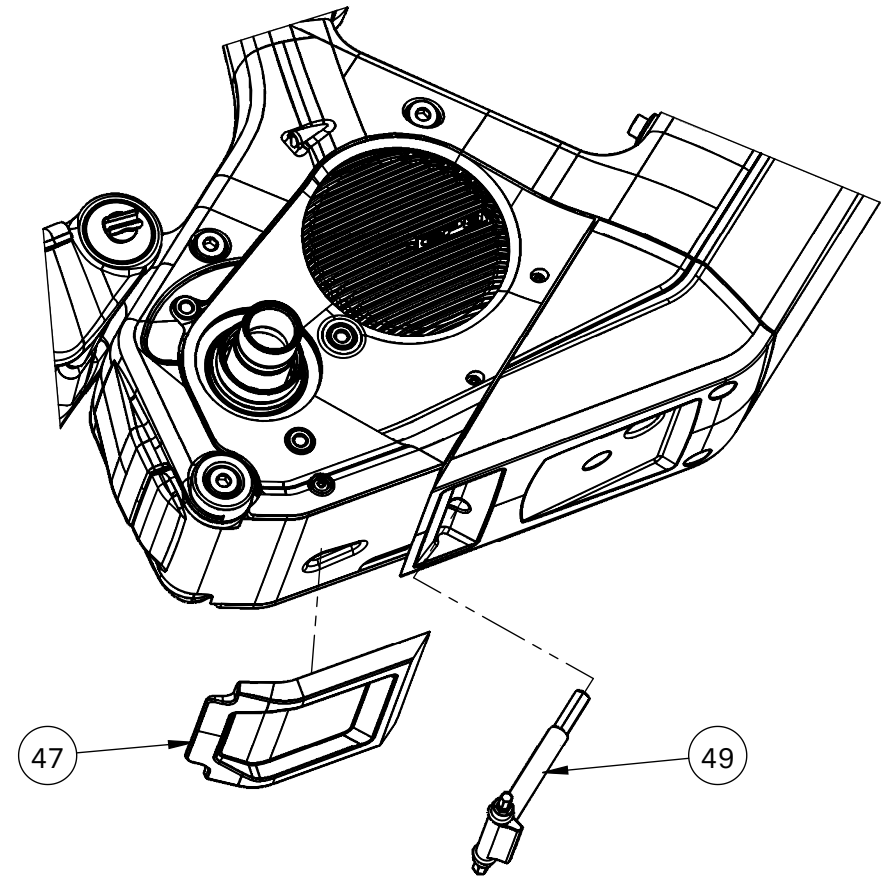
DRIVE UNIT COVERS



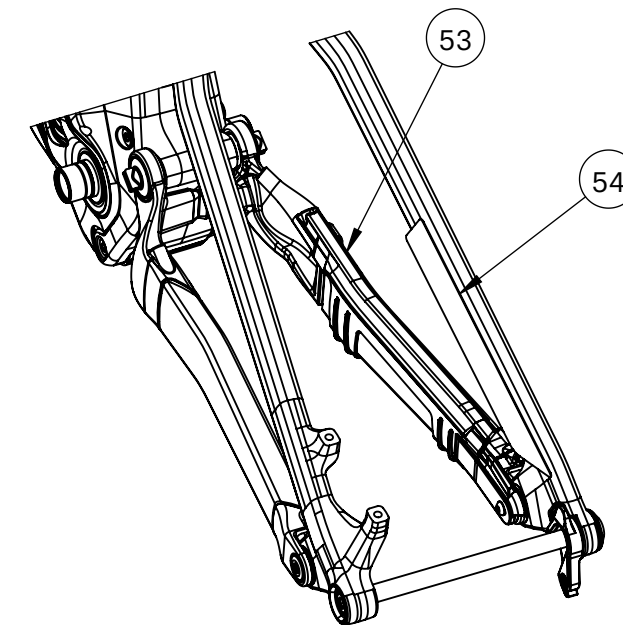
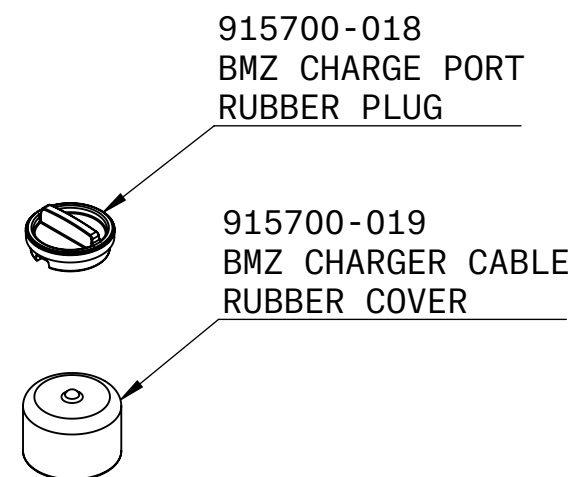
ACCESSORIES



FRAME ACCESSORIES

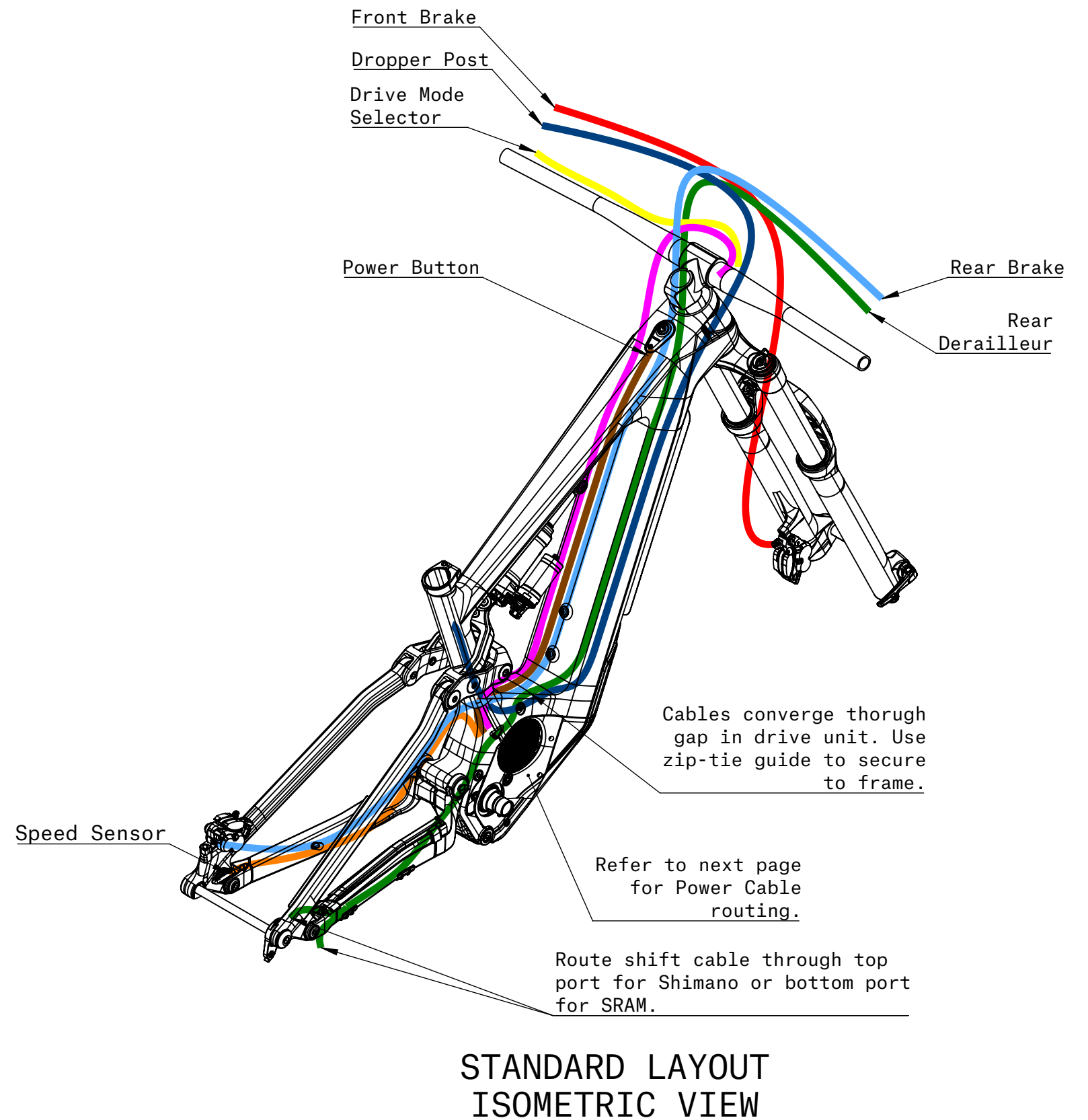
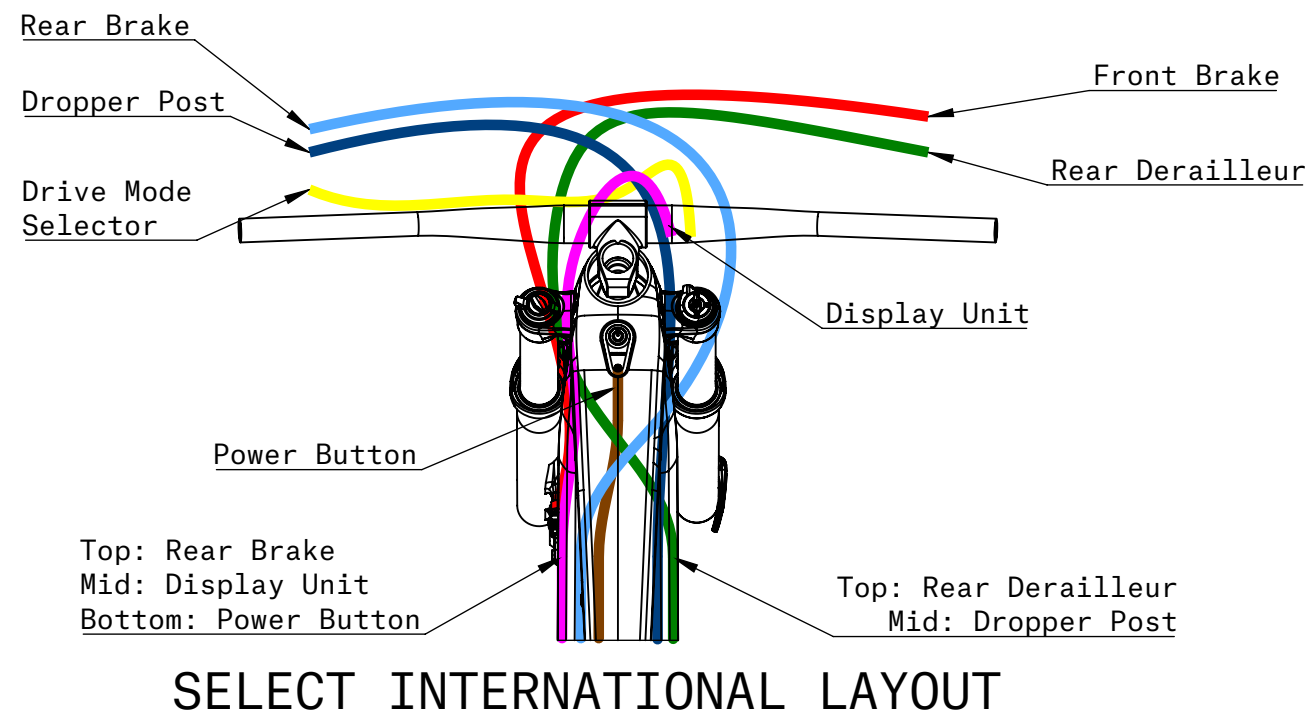
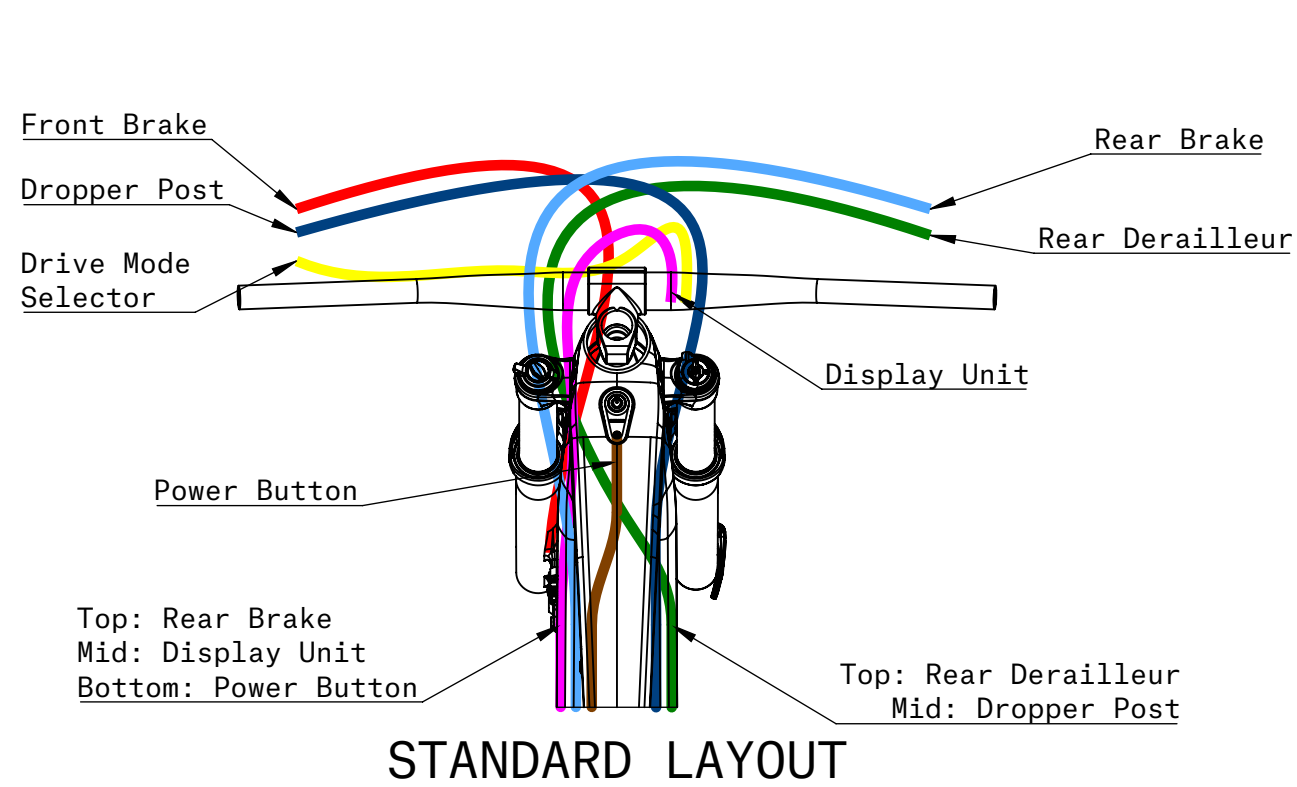


SKID GUARD AND MULTI TOOL

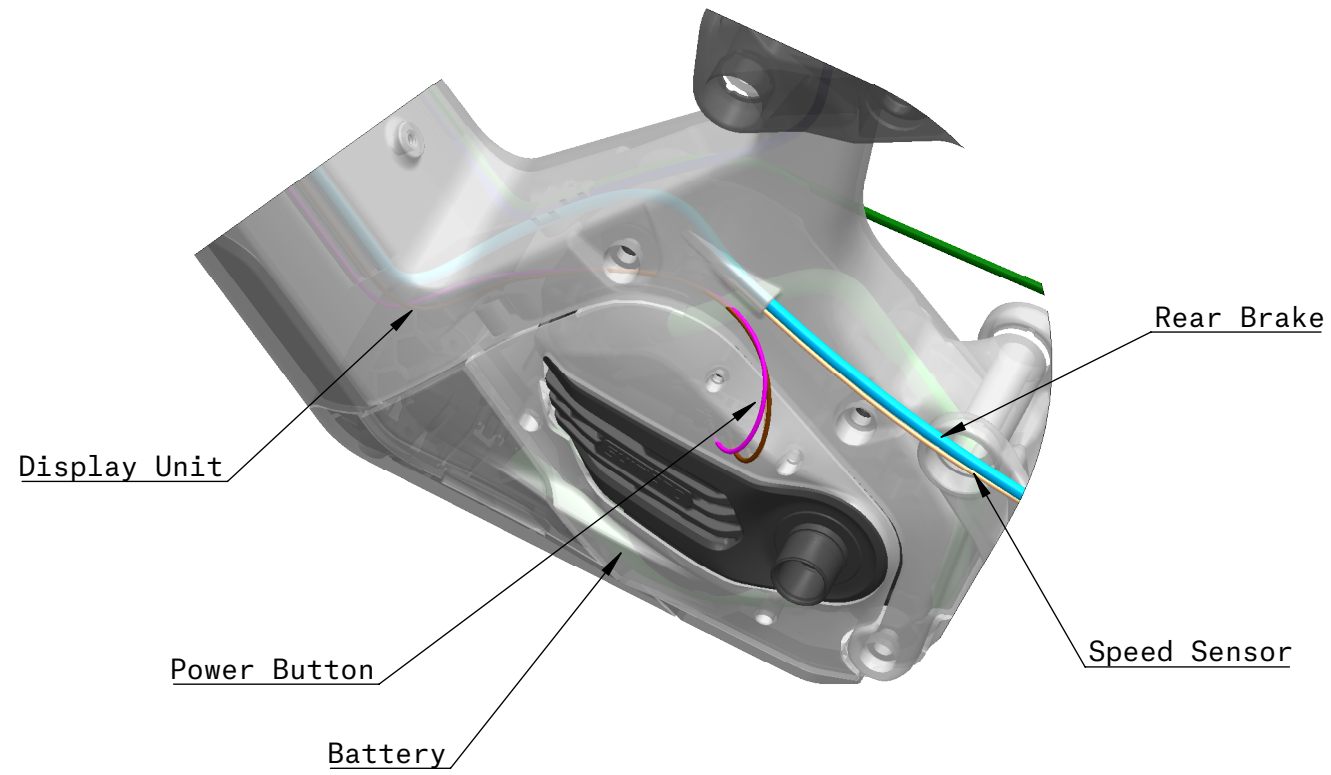


STAY PROTECTORS

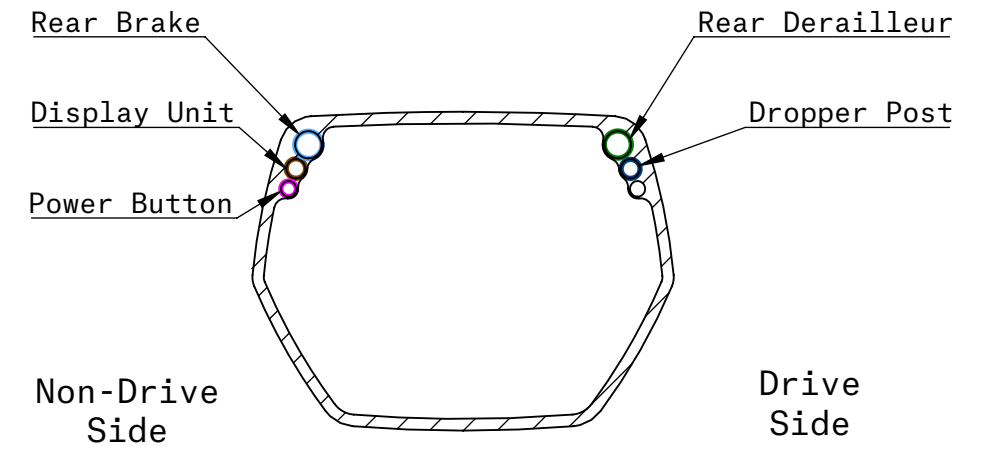
CABLE ROUTING



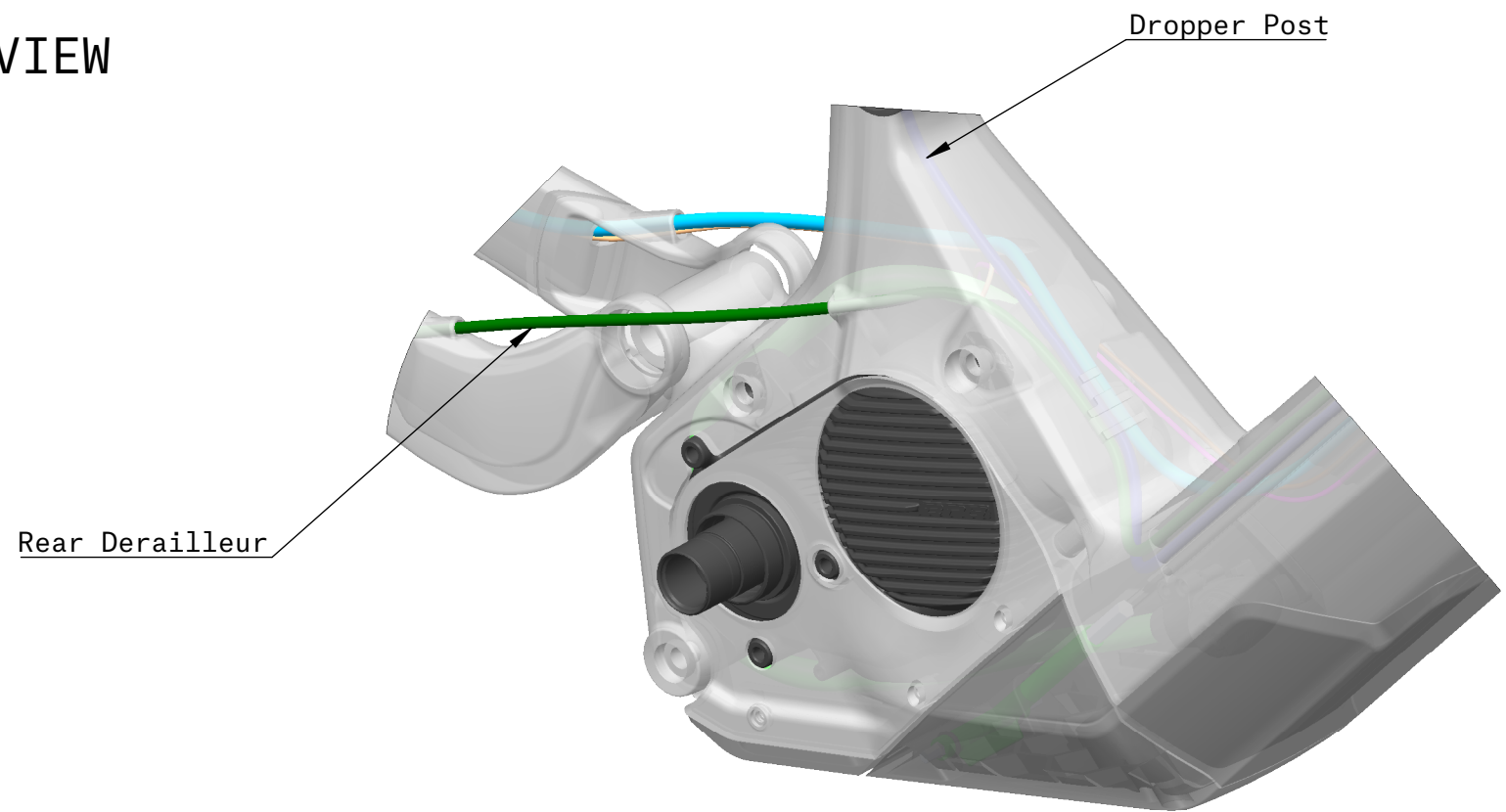
ELECTRICAL ROUTING



NON-DRIVE SIDE VIEW



DOWN TUBE CROSS-SECTION



DRIVE SIDE VIEW