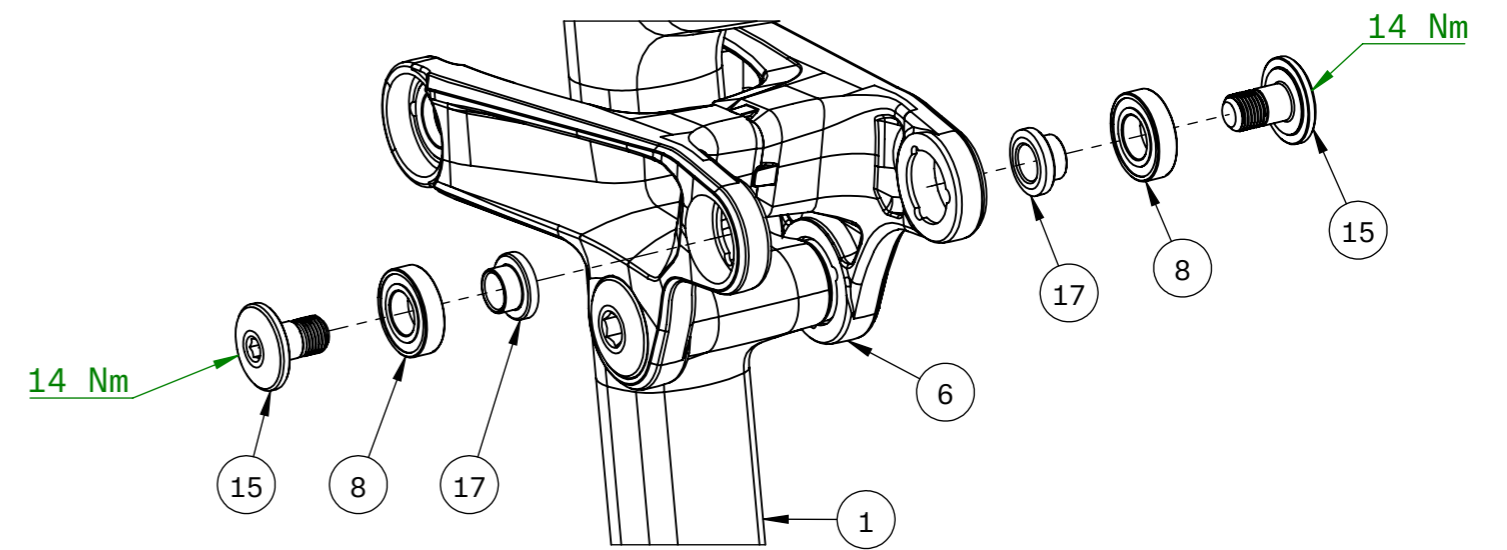


## BILL OF MATERIALS

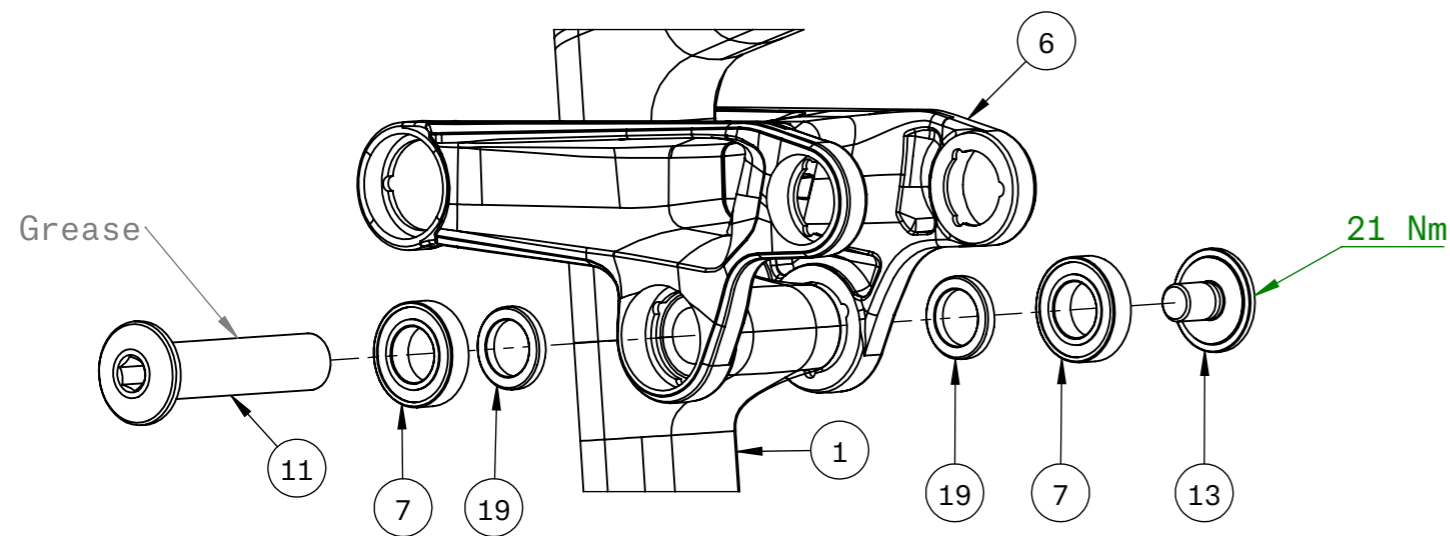
ADDITIONAL FRAME INFORMATION	
AVAILABLE FRAME SIZES	S1, S2, S3, S4, S5
WHEEL SIZE (F/R)	29"/27.5"
S.H.I.S.	ZS44/28.6   ZS56/40
MAX. FORK LENGTH [mm]	553
BB TYPE, WIDTH [mm]	BOSCH ISIS SPLINE
MAX CHAINRING SIZE	36T
OLD [mm]	148
CHAIN LINE [mm]	55
REAR BRAKE MOUNT [mm]	180
SEATPOST DIAMETER [mm]	31.6
RECOMMENDED TIRE WIDTH [IN.]	2.35" - 2.6"
SHOCK DIMENSIONS [LENGTH X STROKE] [mm]	185X55 / 185X50
SHOCK HARDWARE - BODY (W X ID) [mm]	30 X 8
SHOCK HARDWARE - SHAFT (W X ID) [mm]	TRUNNION
REAR AXLE TYPE	L174MM/TL13MM/M12X1.0
ISCG 05 MOUNTS	NO

ITEM NO.	SUPPORT PART NUMBER	QTY.	DESCRIPTION
1		1	FT ASSY, FLUID VLT, SIZE 3
2		1	CS ASSY, FLUID VLT, CARBON, MY24
3	CONTACT CUSTOMER SERVICE	1	CS ASSY, FLUID VLT SX ALLOY, MY24
4		1	SS ASSY, FLUID VLT
5		1	SS ASSY, FLUID VLT SX ALLOY, MY24
6	912317-24-1	1	LA ASSY, FLUID VLT
7	913200-6902-EM	6	6902-LLU ENDURO MAX BEARING, 15X28X7MM
8	913200-6901-EM	6	6901-LLU ENDURO MAX BEARING, 12X24X6MM
9	913500-042	1	SHAFT, OD15, L76, INTERNAL M10X1.25
10	913500-013-1	2	SHAFT, DIA12, L32, M12X1.25, M5X0.8 INT, HEX6
11	913500-043	1	SHAFT, DIA15, L66.5, M10X1.25 INT, HEX8
12	913800-065	1	SHAFT, DIA8, L40, M6X1 INT, HEX5
13	913400-078	1	BOLT, M10X1.25, L14, HEX5
14	913800-063	1	BOLT, M6X1, L12, HEX5
15	913800-005	2	BOLT, M10X1, L17, HEX5
16	913400-095	1	BOLT, L20, M10X1.25
17	913800-006	2	TOPHAT, ID10, OD12, L3.5
18	913300-002	6	SPACER, ID12, OD18, L2
19	913300-014	4	SPACER, ID15, OD22, L3.5
20	913300-003	2	SPACER, ID15, OD22, L4
21	913300-042	2	SPACER, ID15, OD22, L2
22	913400-097	2	SCREW, M10X1.25
23	913700-011	2	BARREL NUT, OD15, L22 M8X1.25
24	913400-028	4	M5X10MM BUTTON HEAD CAP SCREW
25	913400-031	4	M5X12MM BUTTON HEAD CAP SCREW
26	913400-001	2	M5X16MM BUTTON HEAD CAP SCREW
27	913400-084	1	M5X8MM BUTTON HEAD CAP SCREW
28	913400-096	6	M4X8MM LOW HEIGHT SOCKET HEAD CAP SCREW
29	CONTACT CS	8	PAN HEAD CREW M4X6
30	913015-007	1	RD HANGER, 2 PIECE, UDH V2.1, M12X1
31	913020-004	1	RD HANGER, 2 PIECE, UDH BOLT V2, M12X1.75
32	913105-011	1	NORCO AXLE, L174, TL13 M12X1
33	915000-011	1	SEAT CLAMP, NORCO, POST 31.6, ST OD 35, H15.2
34		1	BOSCH CHARGEPORT, 200mm
35		1	PERFORMANCE LINE SX
36		1	BOSCH SYSTEM CONTROLLER, BES3, (INCL.SCREW)
37		1	BOSCH BATTERY_BBP3240_CPT400_HORIZONTAL_FIXED_MOUNT
38		1	BOSCH BATTERY TOP-MOUNT-FOR-PT400_Horizontal_Fixed
39	CONTACT CUSTOMER SERVICE	1	BOSCH BOTTOM-MOUNT-FOR-PT400_Horizontal_Fixed
40		1	BOSCH SPL SHORT SCREW - M8X1X68.7
41		1	BOSCH SPL LONG SCREW - M8X1X82.3
42		2	BOSCH INSERT SLEEVE
43		1	BOSCH, DU MOUNT NUT, M8X1.0
44	913700-012	1	NUT, BOSCH DU MOUNT, M8X1.0
45	915100-035	1	SHUTTLE GUARD, FLUID VLT MY24
46	915802-017	1	SUBFRAME, FLUID VLT MY24
47	915200-039	1	CS PROTECTOR, FLUID VLT MY24
48	915100-034	1	DT PROTECTOR, FLUID VLT MY24
49	915801-015	1	O-RING, ID 20, 2.5 THICK
50	915500-040	1	MOTOR COVER, RH, FLUID VLT MY24
51	915500-041	1	MOTOR COVER, LH, FLUID VLT MY24
52	913300-043	1	CHARGE PORT SPACER, FLUID VLT MY24
53	915500-042	1	CHARGE PORT DOOR ASSY, FLUID VLT MY24
54	914200-027-1	1	CHAINGUIDE BRACKET & HW, FLUID VLT MY24
55	914200-027	1	CHAINGUIDE PLASTICS & HW, FLUID VLT MY24
56	914100-067	2	PORT BLANK, 4mm COVER, SIGHT/OPTIC MY24
57	914100-062	1	PORT BLANK, 7mm HOLE
58	914100-066	1	PORT BLANK, 4&5 COVER, SIGHT/OPTIC MY24
59	914100-070	1	MP CABLE GUIDE, 8mm HEX
60	915300-004	1	SS INNER PROTECTOR, SIGHT CARBON, MY20
61	915200-040	1	ROCK CRUSH GUARD CS-FT
62	914100-069	1	CS PORT PLUG, FLUID VLT CARBON, MY24
63	914100-071	1	CS PORT PLUG, FLUID VLT ALLOY RT, MY24
64	914100-059	1	SS EXPANDING CABLE PORT, BRAKE, SIGHT OPTIC ALLOY MY23
65	913400-083	1	M4X14MM GRUB SCREW

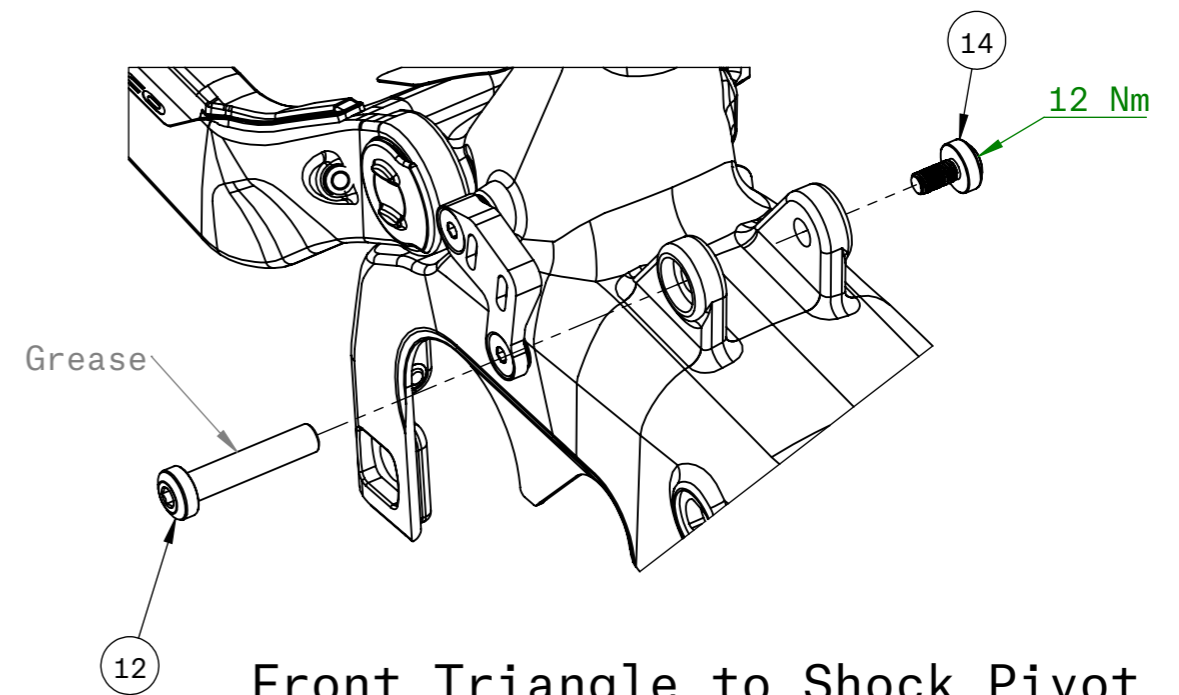
## PIVOT HARDWARE



Linkarm to Shock Pivot



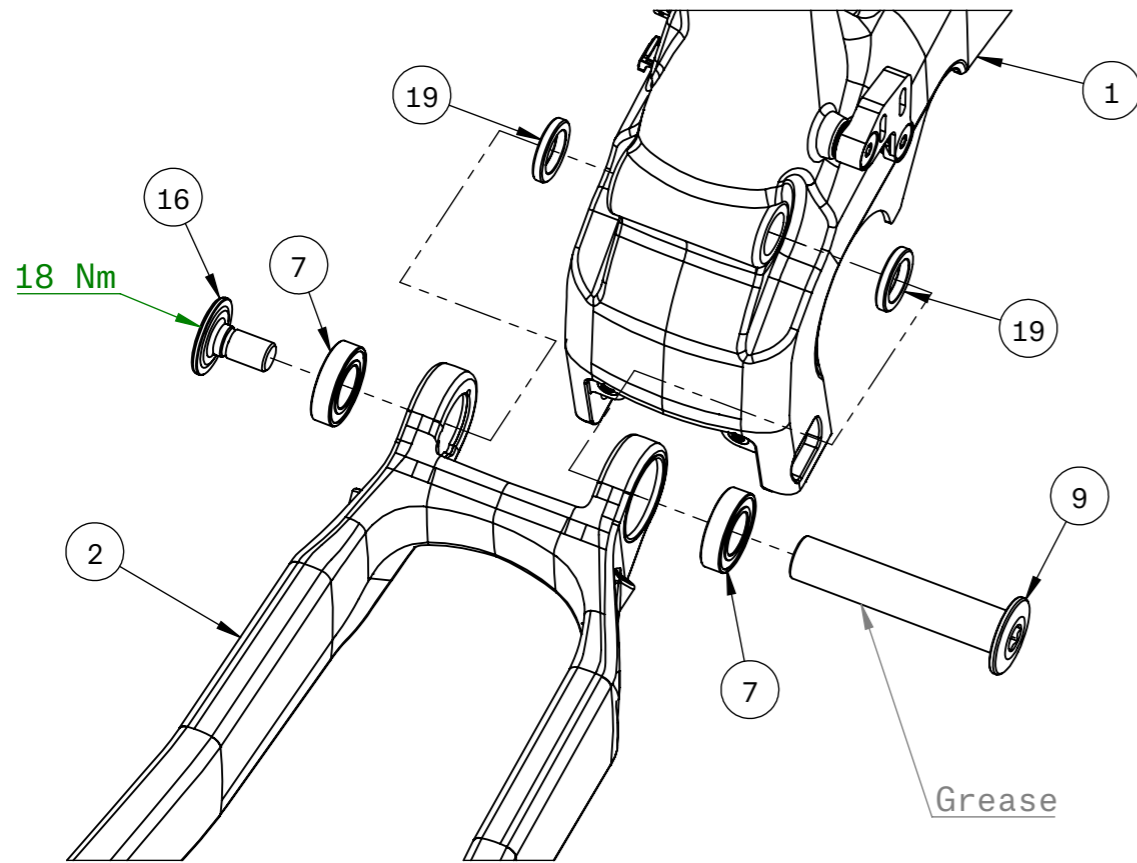
Linkarm to Front Triangle



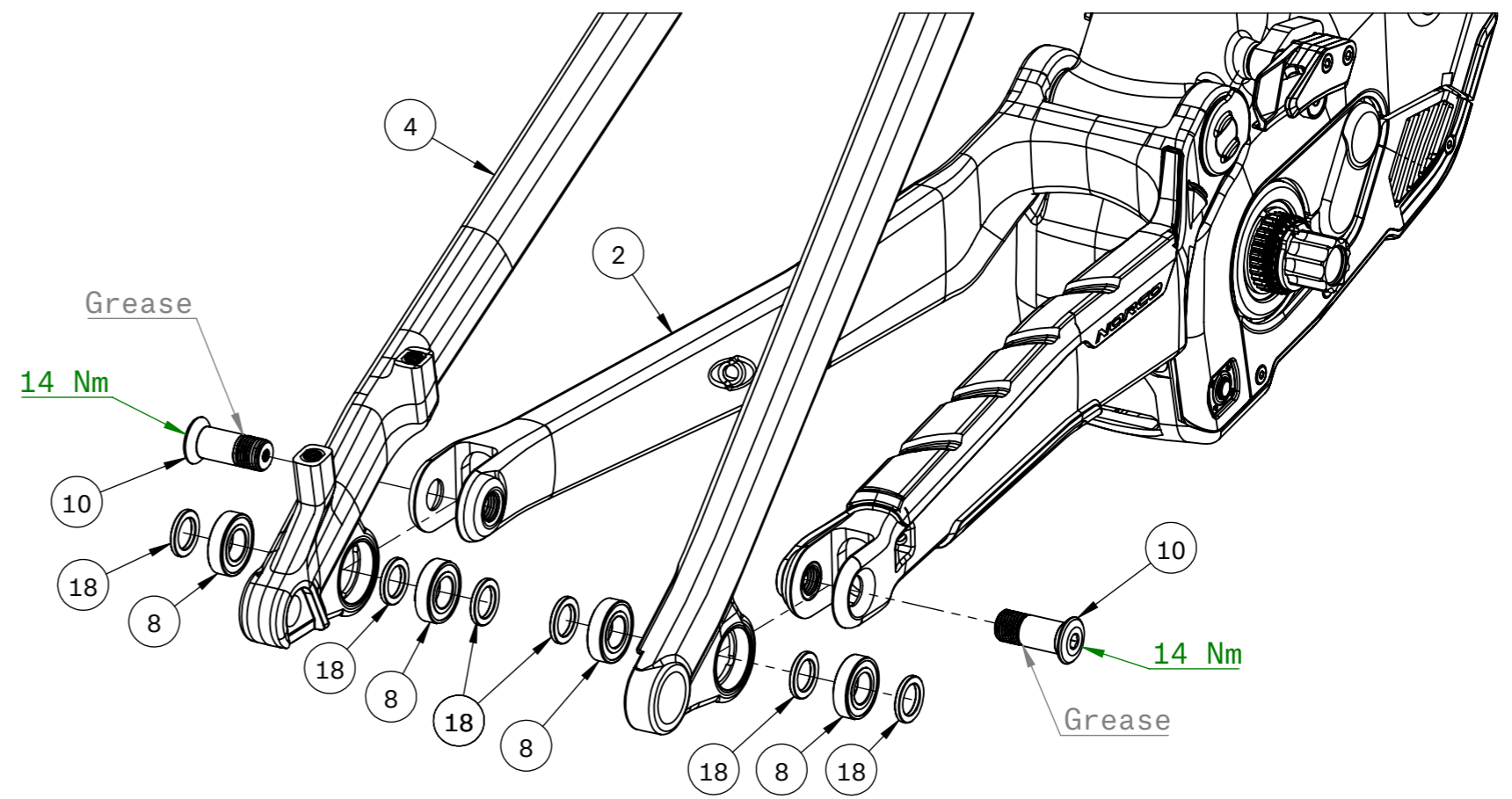
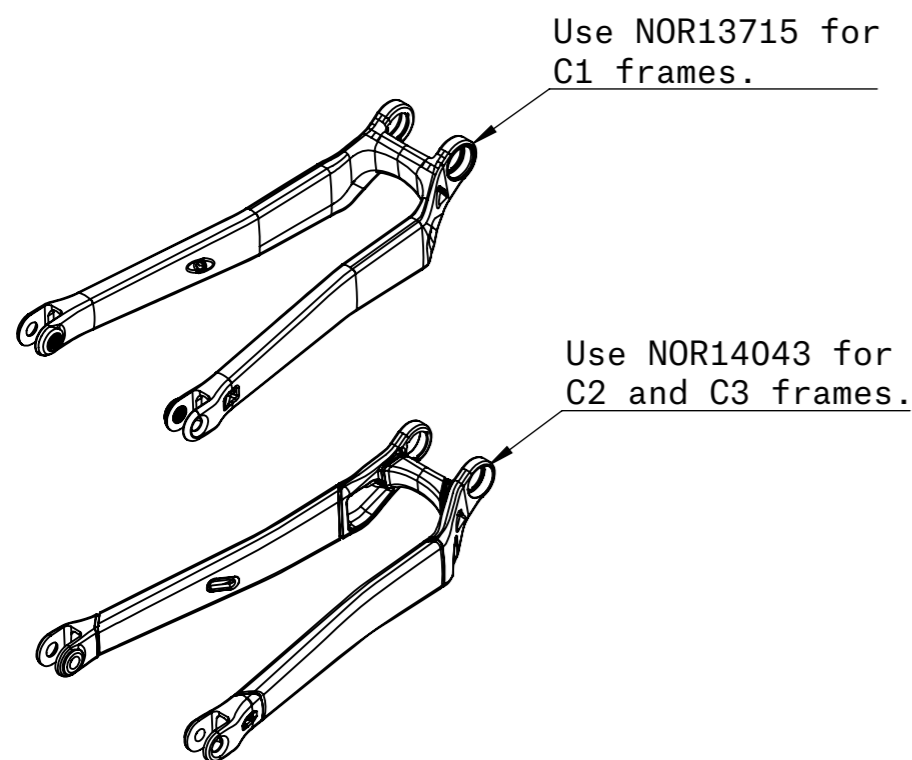
Front Triangle to Shock Pivot

Note: All hardware comes pre-applied with thread locker.  
Use Loctite 243 if reinstalling hardware.

## PIVOT HARDWARE

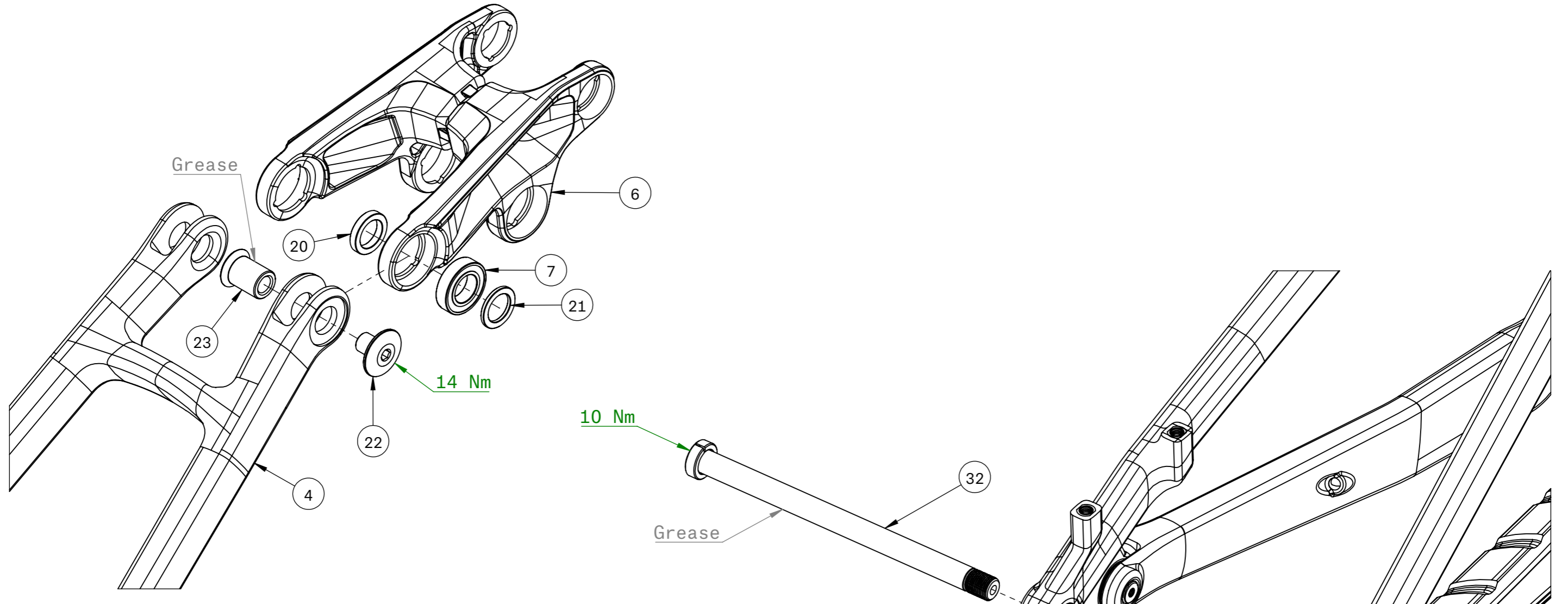


Chain Stay to Front Triangle



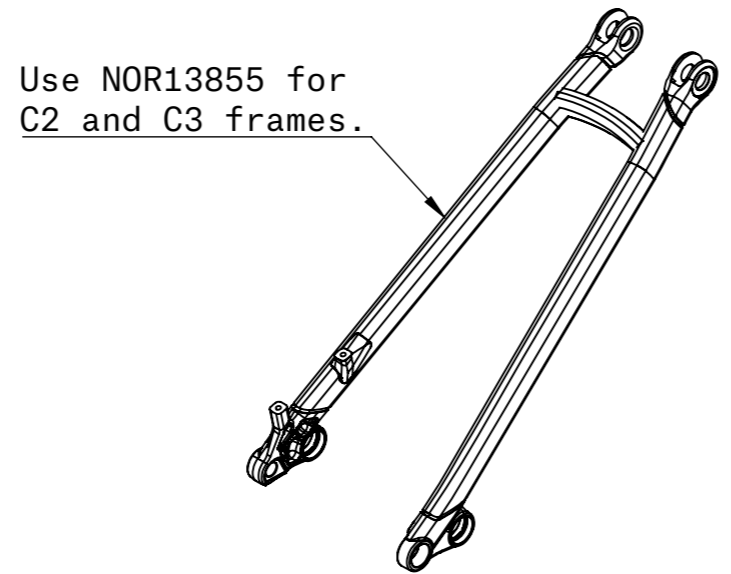
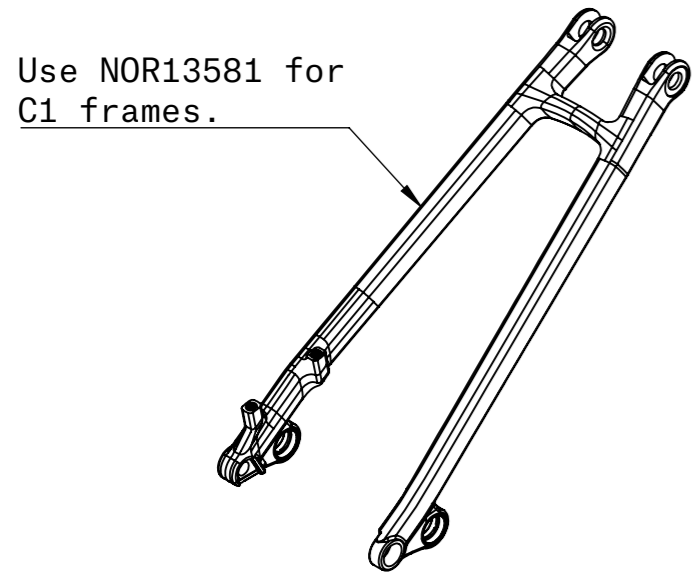
Seat Stay to Chain Stay

PIVOT HARDWARE



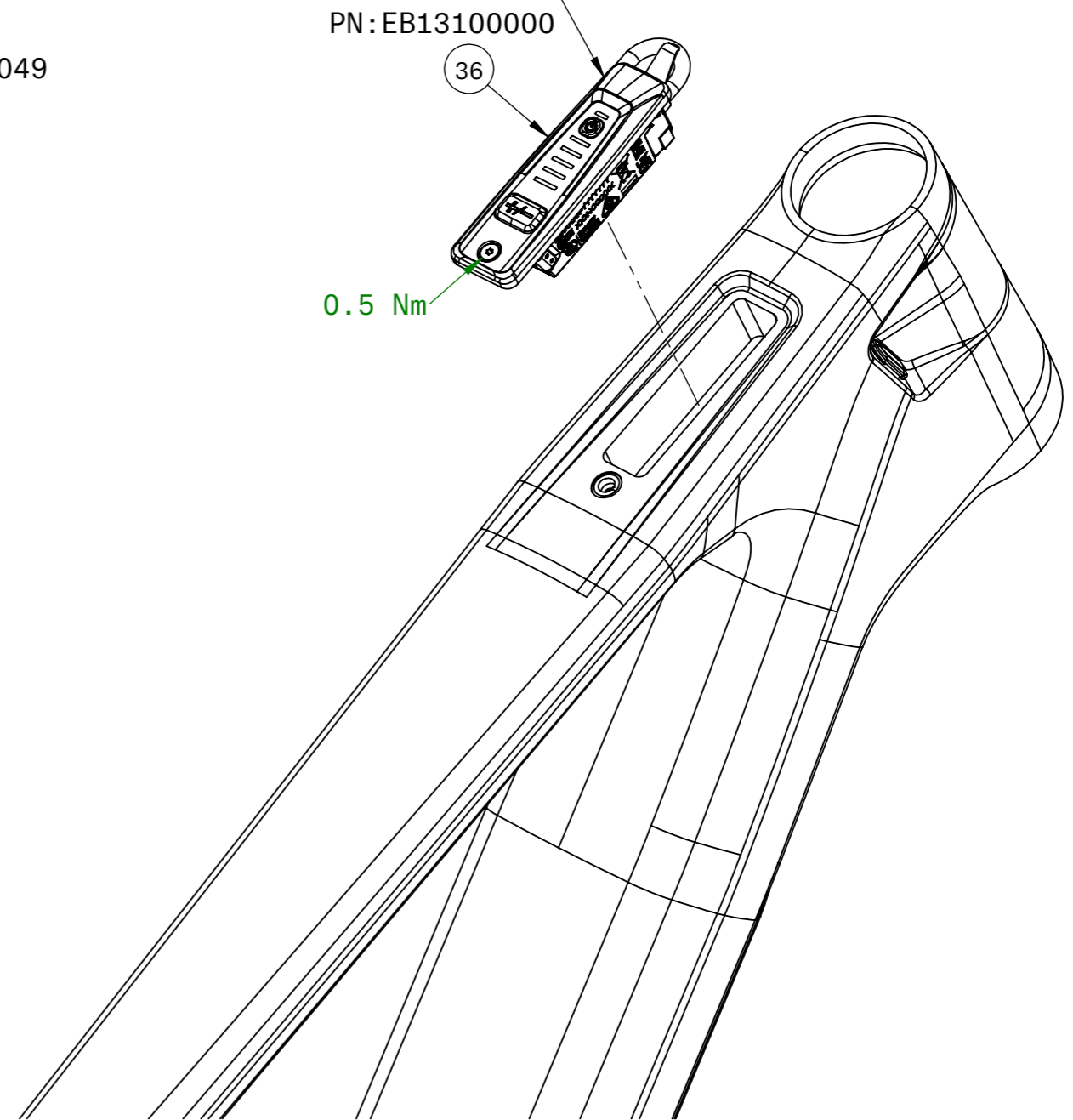
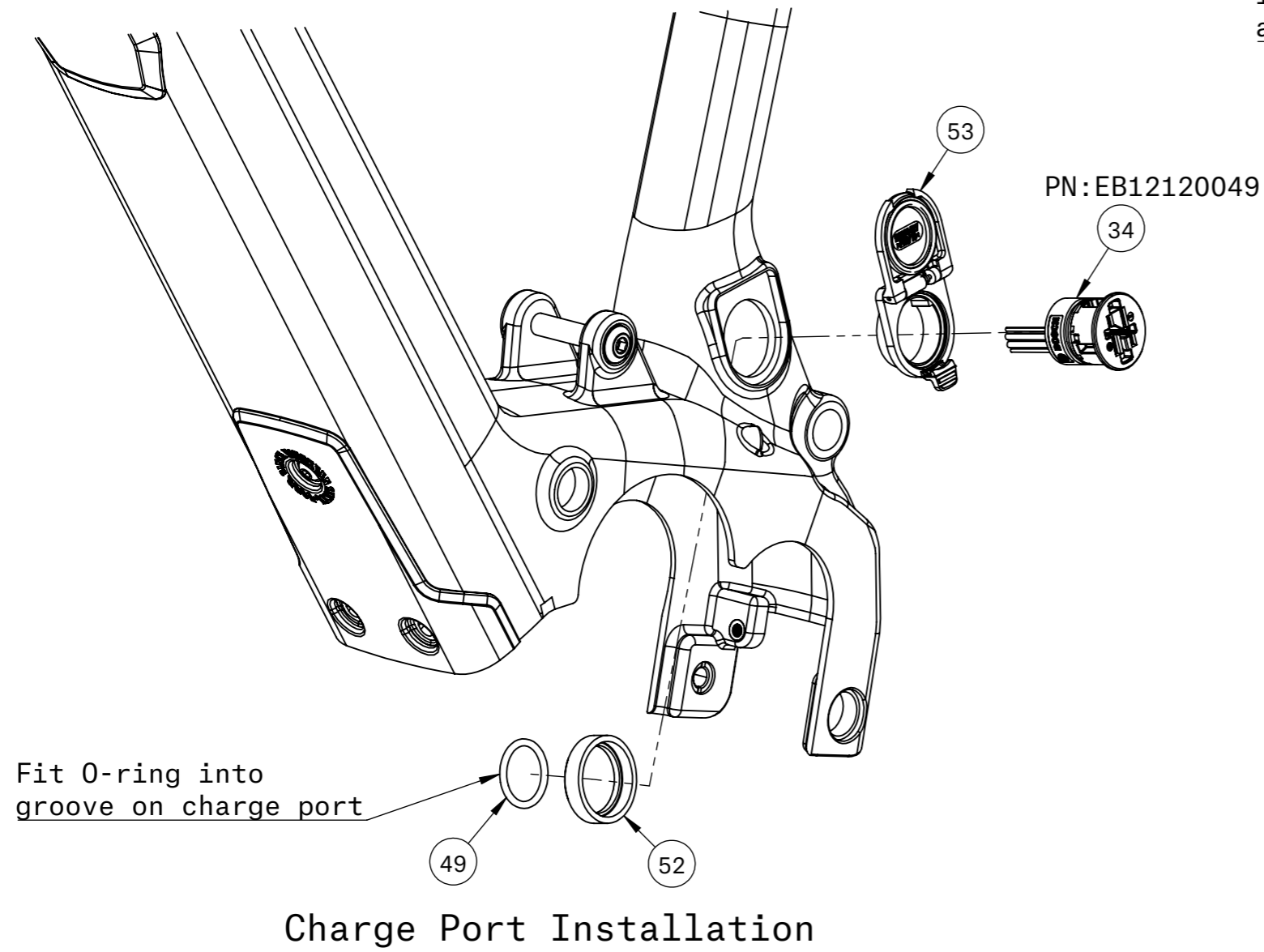
Linkarm to Seat Stay Pivot

Axle to Hanger



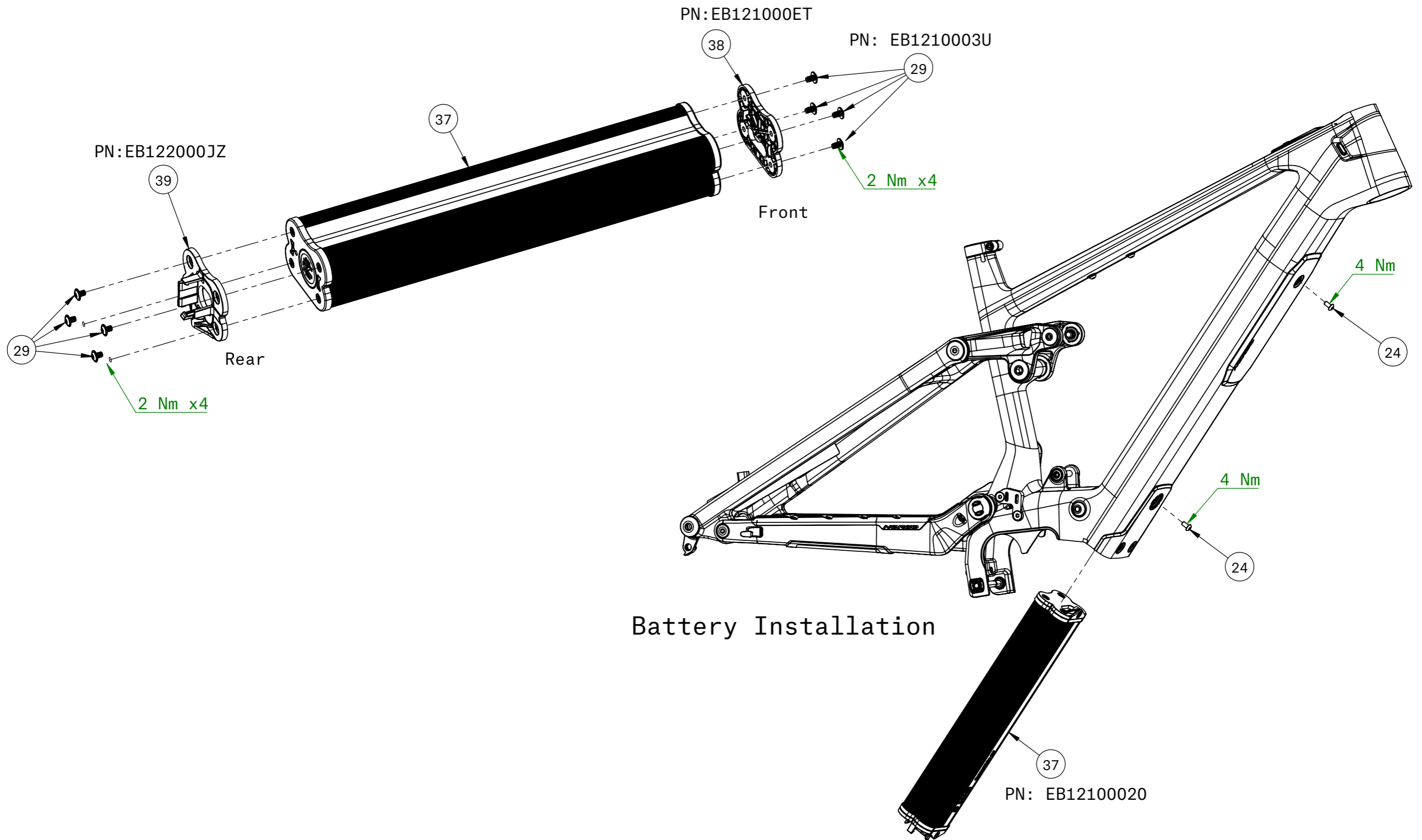
FRAME ACCESSORIES

Toptube controller must be installed prior to battery and drive unit.



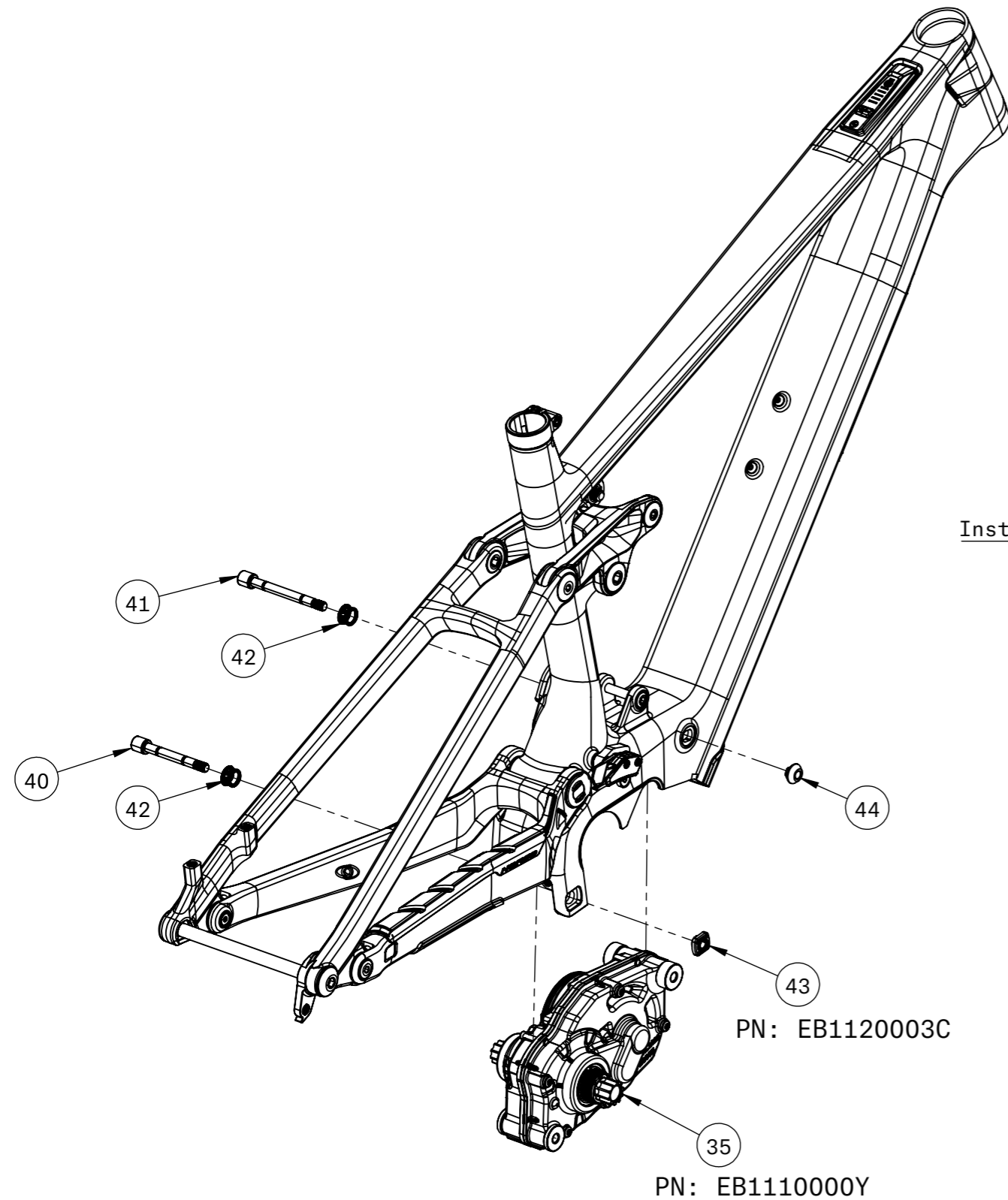
Toptube Controller

## BATTERY ASSEMBLY





## DRIVE UNIT



Install bushing in frame by hand

PN: EB112000NA

30 Nm

Install bushing in frame by hand

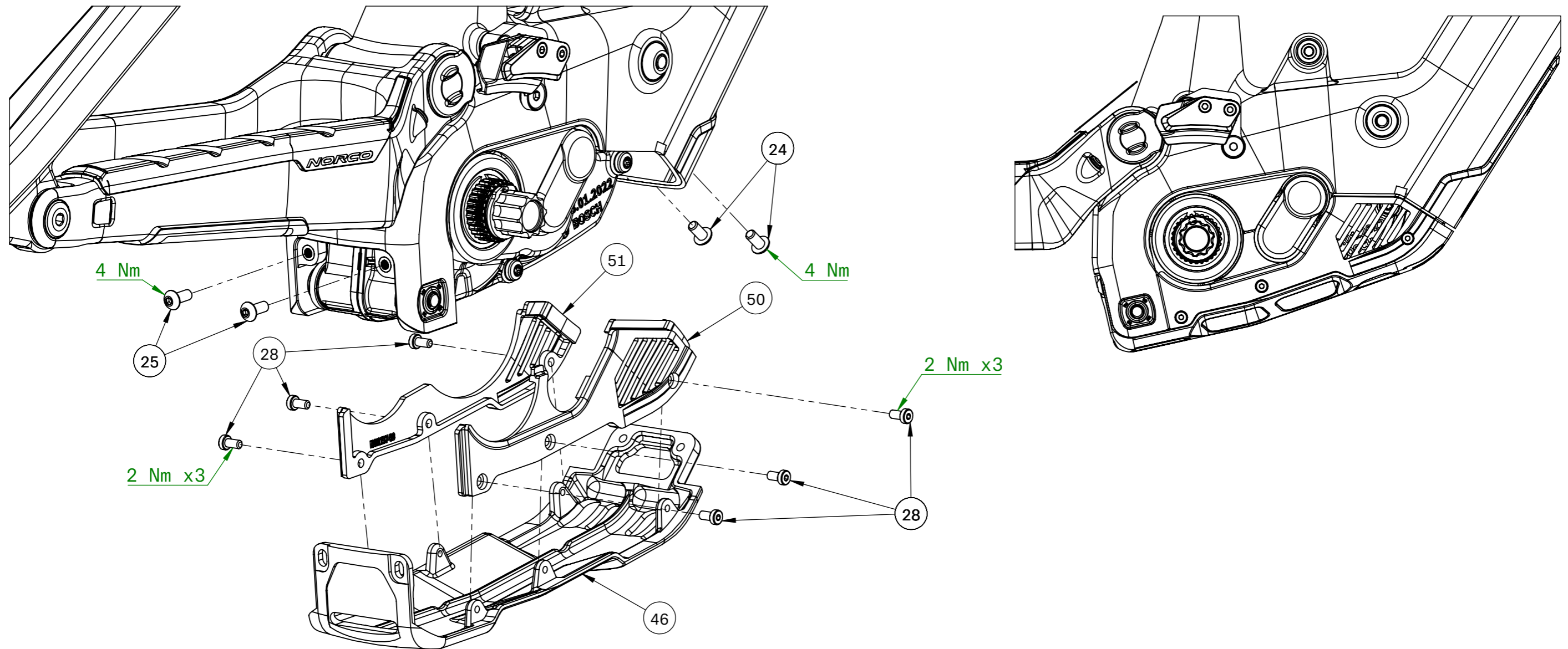
30 Nm

PN: EB112000N9

PN: EB112000GK

PN: EB1120003C

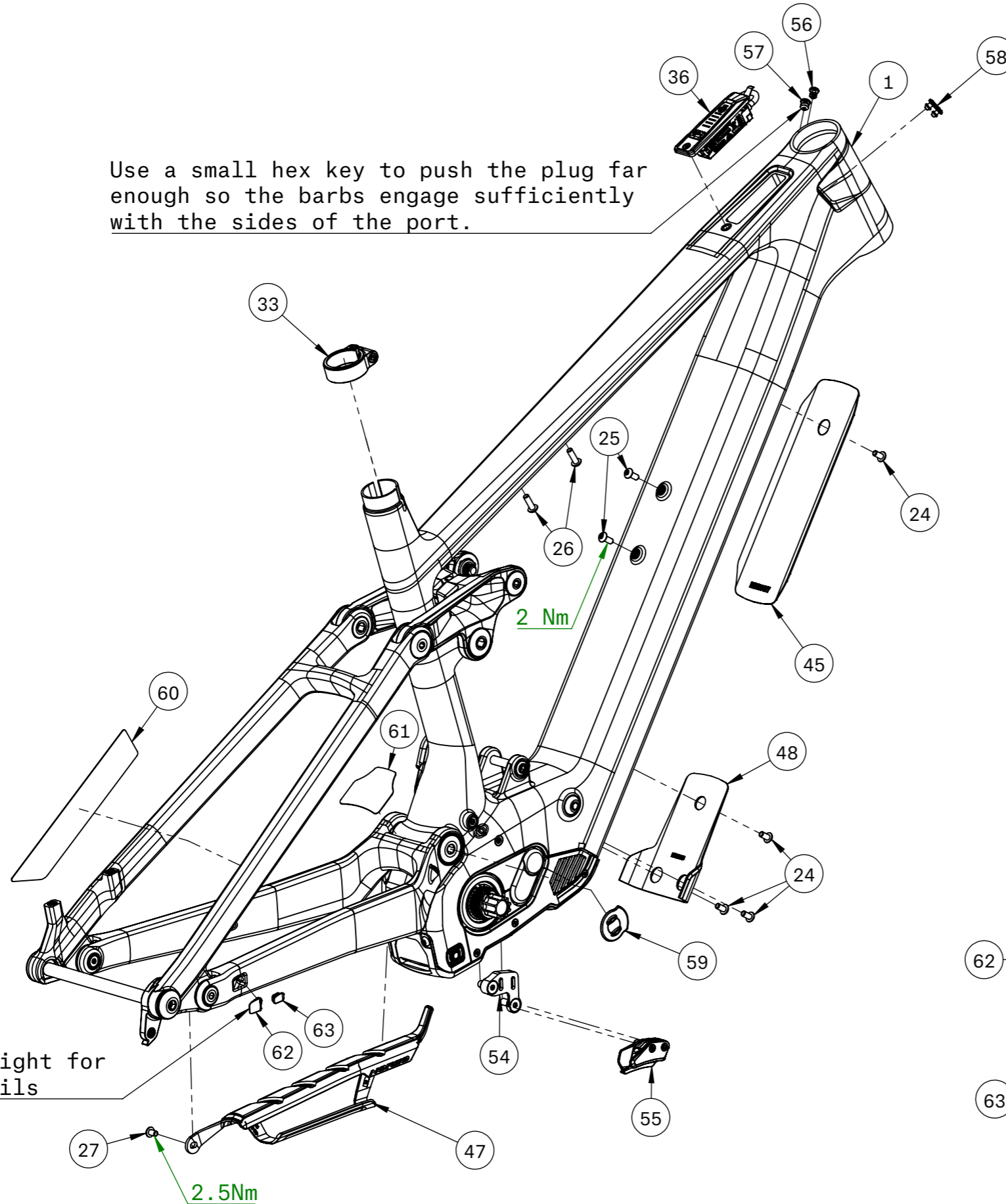
SUBFRAME



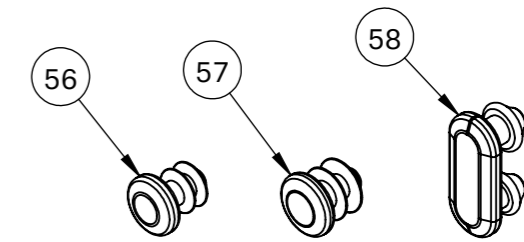
Subframe and Drive Unit Cover Installation

## FRAME ACCESSORIES

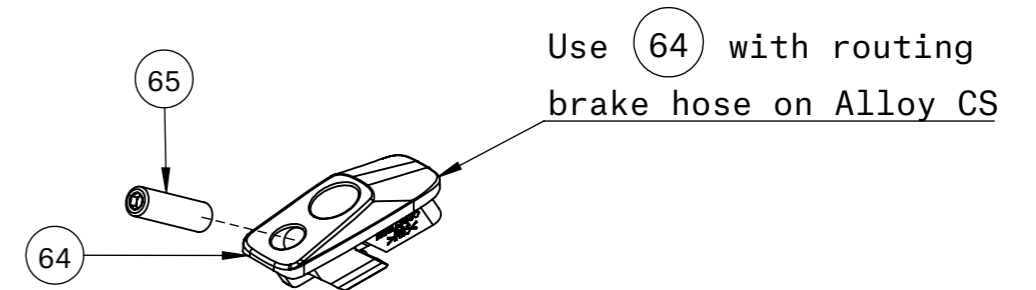
Use a small hex key to push the plug far enough so the barbs engage sufficiently with the sides of the port.



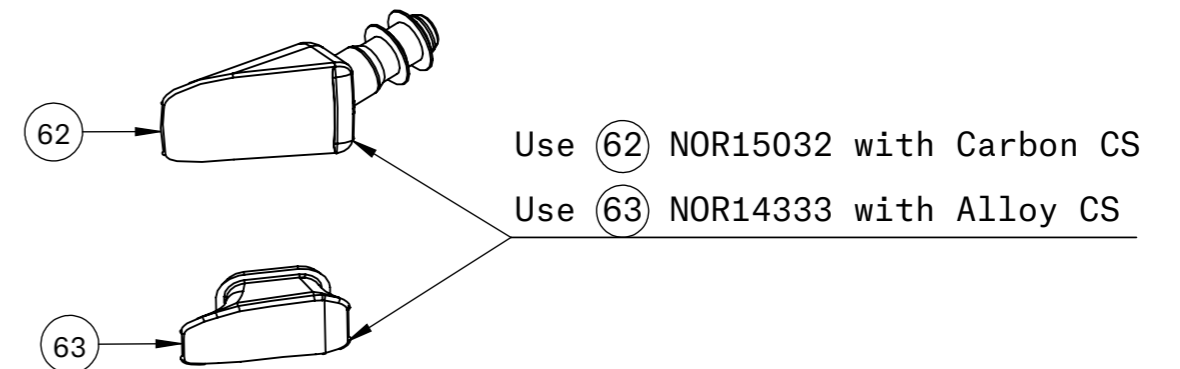
See table on right for additional details



- Use 56 for plugging a single 4mm blank port.
- Use 57 for plugging a single 5mm blank port.
- Use 58 for plugging a double blank port.

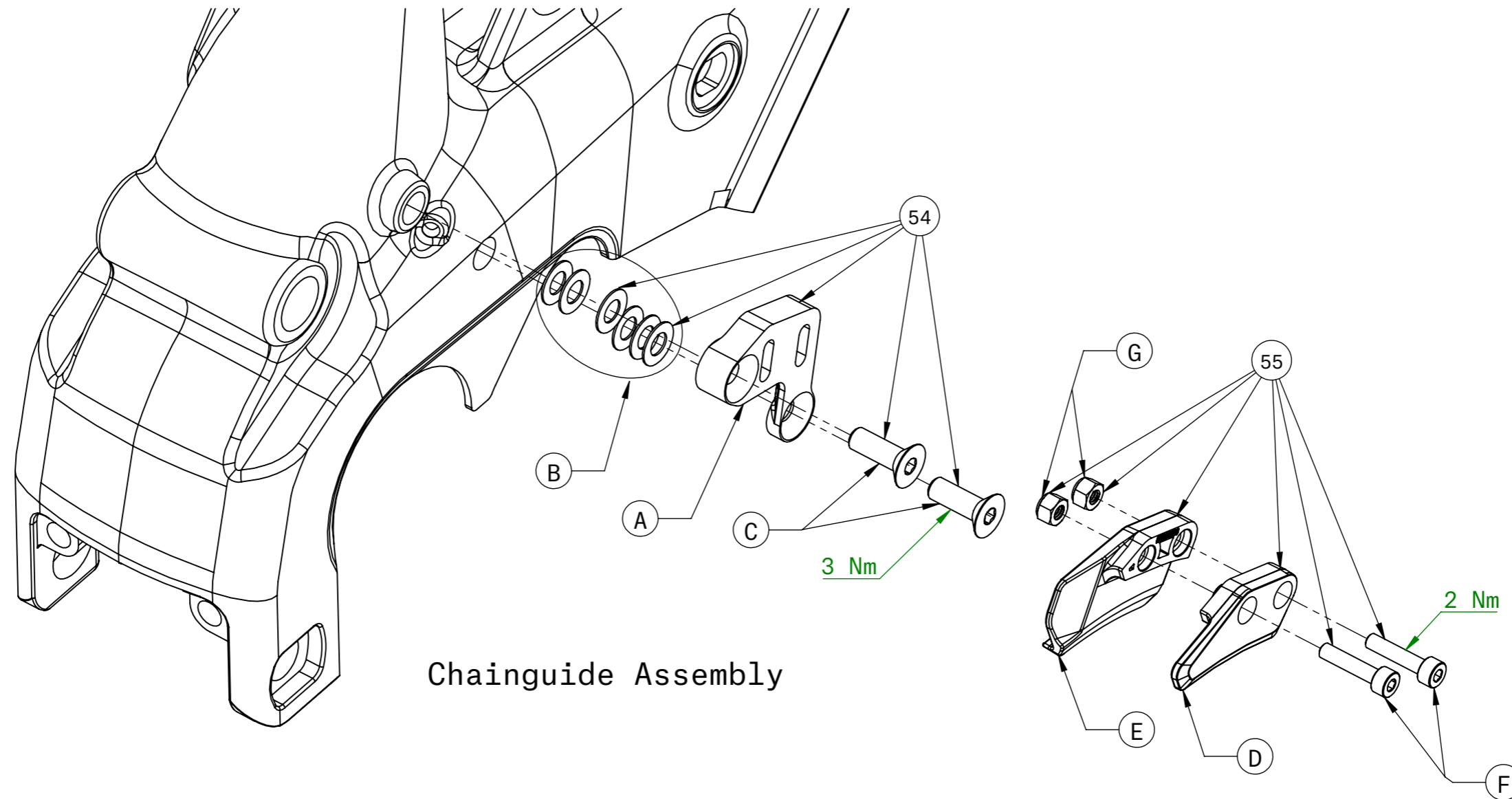


Use 64 with routing brake hose on Alloy CS



- Use 62 NOR15032 with Carbon CS
- Use 63 NOR14333 with Alloy CS

ACCESSORIES

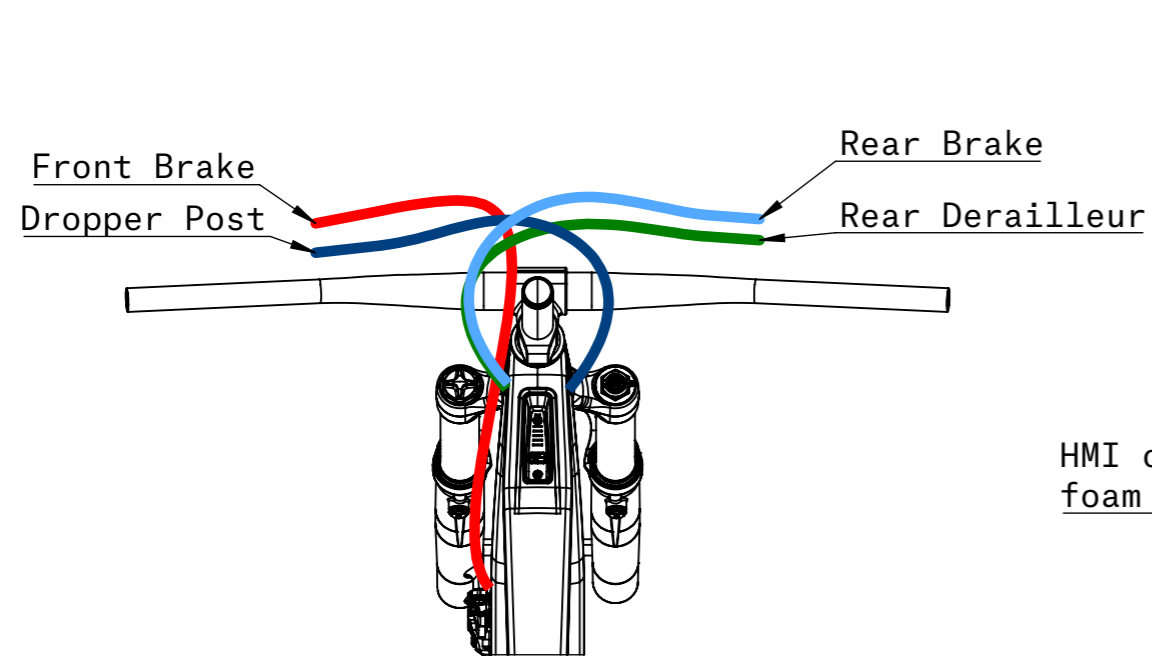


Chainguide Assembly

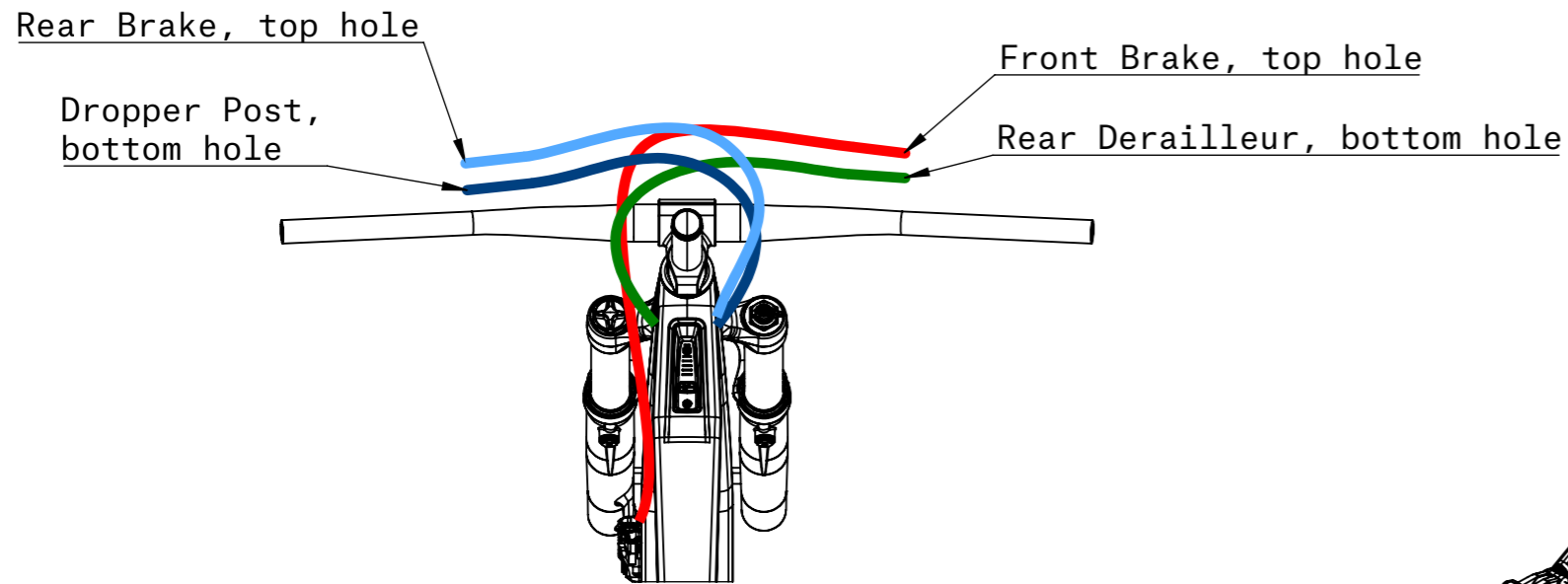
ITEM NO.	QTY.	DESCRIPTION
A	1	CHAINGUIDE BACKPLATE, FLUID VLT MY24
B	6	WASHER, M6, OD12MM, ID6.4, T0.5
C	2	M6X18MM COUNTERSUNK SOCKET HEAD CAP

ITEM NO.	QTY.	DESCRIPTION
D	1	CHAINGUIDE OUTER, FLUID VLT MY24
E	1	CHAINGUIDE INNER, BOSCH PL SX MY24
F	2	M4X18MM SOCKET HEAD CAP SCREW
G	2	HIGH-STRENGTH STEEL NYLON-INSERT LOCKNUTS

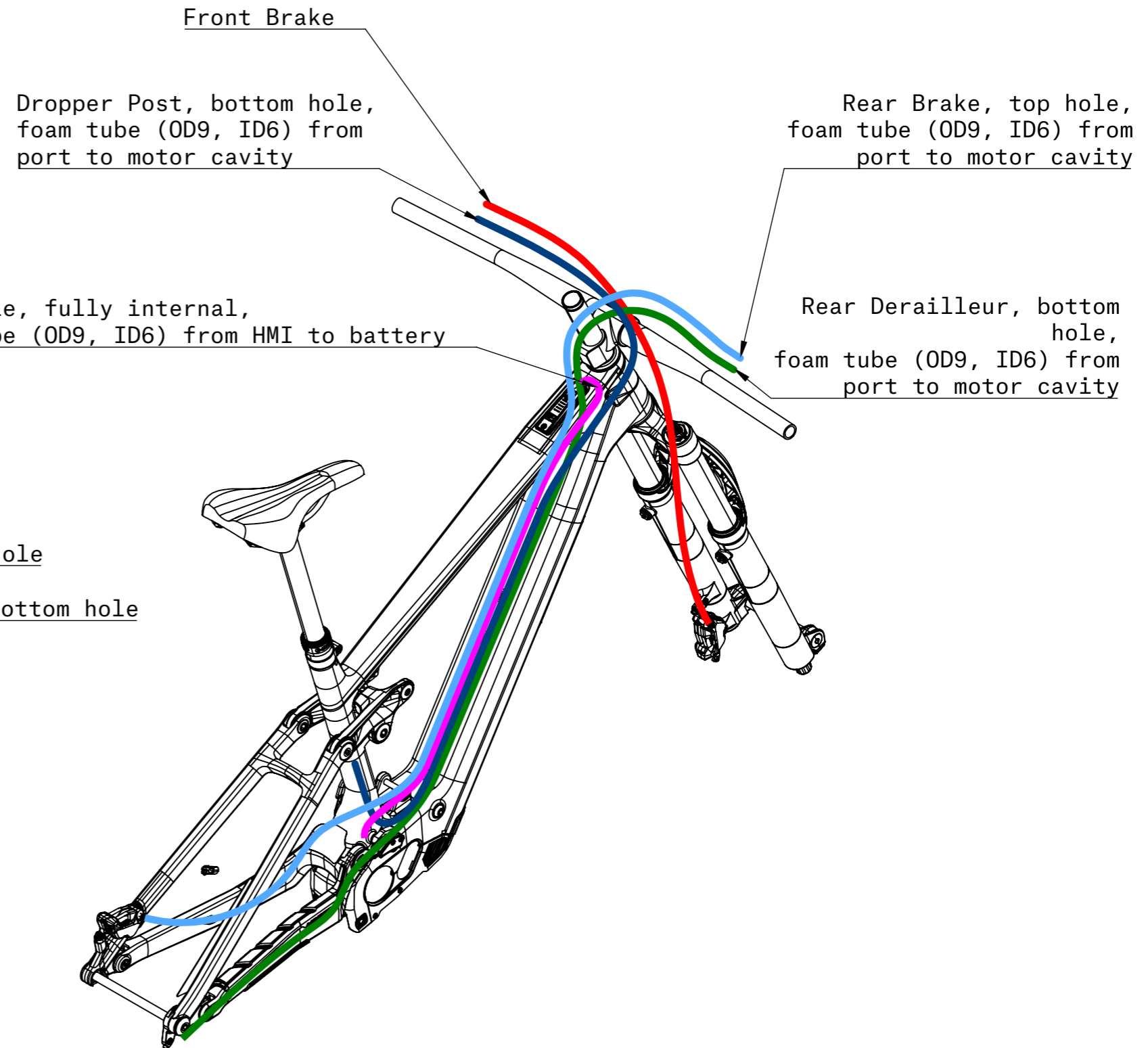
CABLE ROUTING



STANDARD LAYOUT

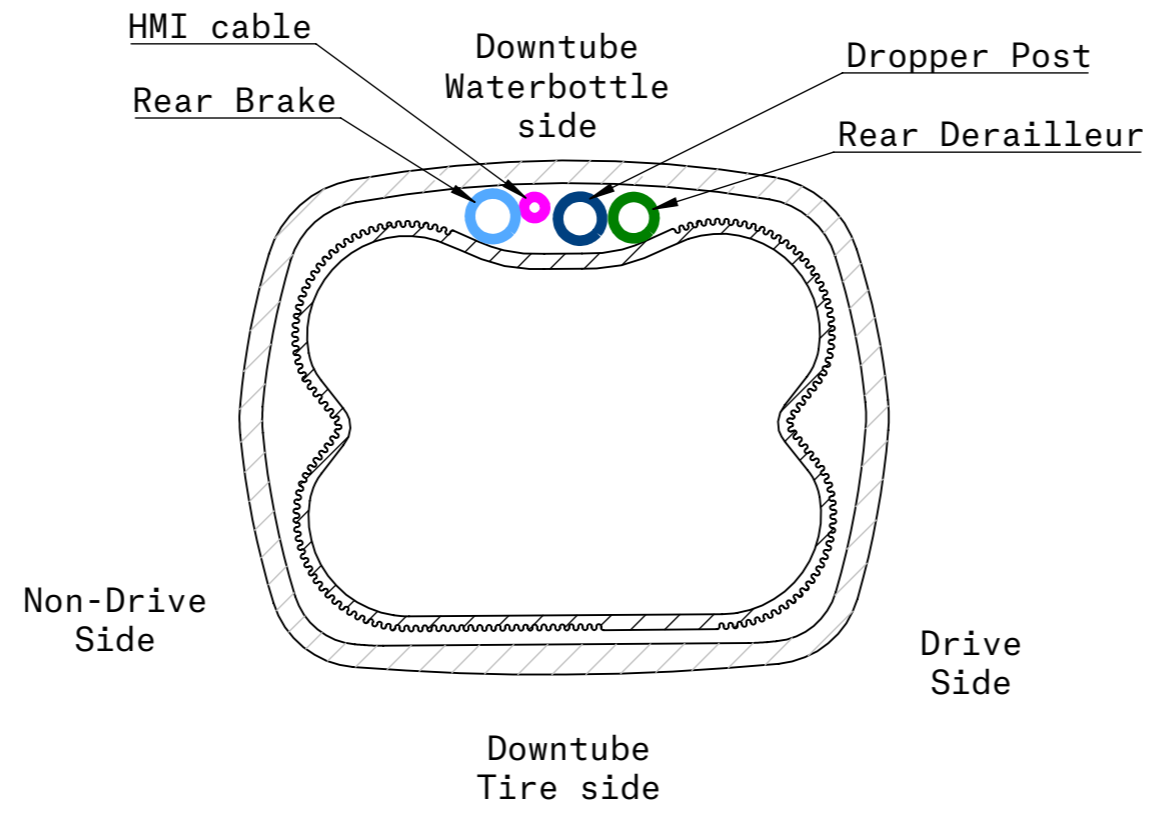


SELECT INTERNATIONAL LAYOUT



STANDARD LAYOUT ISOMETRIC VIEW

CABLE ROUTING



DOWNTUBE CROSS-SECTION