

NORCO LITHIUM ION BATTERY

Operating instructions



Art. No.
606187
609304
607430



Read carefully before use.
Keep for later reference.
Hand to next owner.



E-MOBILITY



DRIVE
SYSTEMS



ENERGY STORAGE
SYSTEMS



POWER- AND
GARDENTOOLS



INDUSTRIAL



MEDICAL

IDENTIFICATION

PRODUCT

Model: NORCO lithium ion battery

Art. No:

→ 606187

→ 609304

→ 607430

Land of origin: Germany

Zeichen: CE

MANUFACTURER

BMZ Germany GmbH

Zeche Gustav 1

63791 Karlstein am Main

Deutschland

Tel.: +49 (0) 6188 9956-0

Fax: +49 (0) 6188 9956-900

Email: mail@bmz-group.com

Web: www.bmz-group.com

DOCUMENT

Operating instructions NORCO lithium ion battery


Revision: 0-0

As of: 02.07.2021



Subject to change.

IMPORTANT NOTICE ON THIS MANUAL

These instructions are intended for all users of the battery.

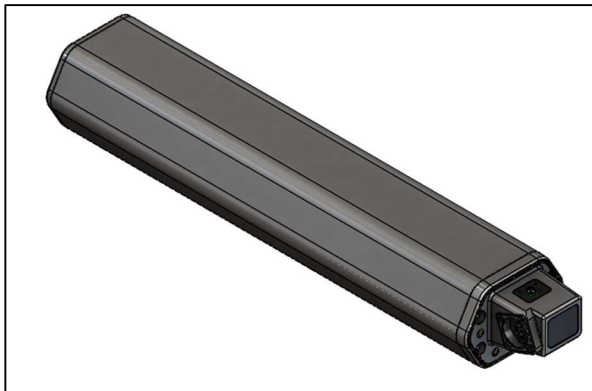
 WARNING
<p>Read these instructions carefully before using the battery.</p> <p>Failure to follow the safety advice and instructions may result in fire and/or serious injury.</p>

DESCRIPTION OF SIGNS

NOTICE	DESCRIPTION
 WARNING	Non-compliance can lead to severe injury or death.
 CAUTION	Non-compliance may lead to slight or less severe personal injury.
NOTICE	Non-compliance can lead to property damage.
i	Tips, additional information

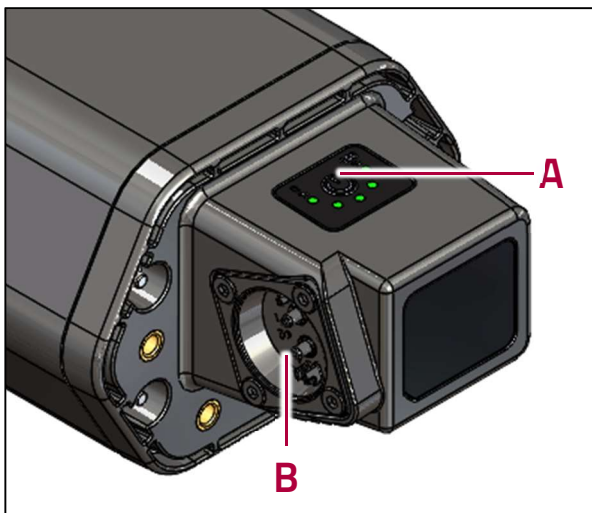
1 PRODUCT DESCRIPTION

1.1 GENERAL VIEW



1.2 CONTROLS

The controls are not accessible when using the e-bike. All required functions are accessible via the control unit of the bike.



- A Button with state of charge indicator (see 1.6)
- B Charge / discharge socket

1.3 INTENDED USE

The battery supplies the drive system of the e-bike. It may only be used with the intended drive system and charger. The battery is integrated in the bicycle frame and may only be removed by qualified personnel.

Any other use is not intended and voids the warranty.

1.4 COMPATIBLE CHARGERS

- Art. No. 28555-1
Charger 10S | 42 V | 4.5 A | 100-240 VAC

NOTES

- or the most up-to-date information, visit our B2B shop:
<https://ebike.bmz-group.shop/de>
- The charger connects to the frame of the e-bike. Therefore, an adapter may be required. See operating instructions for the e-bike.

1.5 TECHNICAL DATA

ART NO.	606187	607430	609304
rated capacity (Ah)	24.0	14.4	19.2
energy (Wh)	885.6	531.3	708.4
nominal energy (Wh)	909,6	545,7	727,7
voltage nominal (V DC)	36.9	36.9	36.9
weight ca. (kg)	4.8	3.3	4.0

1.6 STATE OF CHARGE INDICATOR

The state of charge indicator is intended for service only.



1.6.1 EXPLANATION OF SYMBOLS

SYMBOL	MEANING
●	LED on
○	LED off
*	LED blinking

1.6.2 STATE OF CHARGE

LED 1, 2, 3, 4, 5	STATE OF CHARGE
●●●●●	100...80 %
●●●●○	79...60 %
●●●○○	59...40 %
●●○○○	39...20 %
●○○○○	19...10 %
*○○○○	9...0 %

LED 1, 2, 3, 4, 5	STATE OF CHARGE
	Re-charge battery within two days at the latest to avoid permanent damage.

1.6.3 STATE OF CHARGE WHEN CHARGING

LED 1, 2, 3, 4, 5	STATE OF CHARGE
*○○○○	0...19 %
●*○○○	20...39 %
●●*○○	40...59 %
●●●*○	60...79 %
●●●●*	80...99 %
●●●●●	100 %

1.7 LABELLING

EXPLANATION OF SIGNS

SIGN	MEANING
	General warning sign
	Do not throw into fire.
	Do not immerse in liquid.
	Do not charge defective battery.
	Follow operating instructions.
	Symbol for lithium ion battery (contains recyclable materials)
Li-ion	
	Conform with relevant European directives.
	Do not dispose of in domestic or industrial waste.

EXEMPLARY LABEL

NORCO
www.norco.com

Rechargeable Li-ion Battery 101NR2271-4

USE THE BATTERY ONLY FOR THE PROVIDED PEDELEC. PROTECT THE BATTERY FROM OVERHEATING. DROPPED OR DAMAGED BATTERIES MAY NOT BE CHARGED OR USED. CHARGE ONLY UNDER SUPERVISION AND DO NOT USE A CHARGING DEVICE OTHER THAN THE ONE MADE FOR USE WITH YOUR DEVICE. DO NOT DISASSEMBLE OR MODIFY THE BATTERY. DO NOT CONNECT (+) AND (-) POLES BY USING METALLIC OBJECTS. PROTECT THE BATTERY FROM WATER.

CAUTION: Ignoring the instructions may result in fire or explosion of the battery/ Risk of fire and burns. Do not open, crush, heat above 80°C (176°F) or incinerate. Follow manufacturer's instructions. Charge: 0 to 45°C. Discharge: -20 to +55°C.

Product/Service Inquiry: cs.ebike@bmrz-group.com

Artikel: 609304 / GEB20-W43 / 12345678901 / S/N: 123456 Made in Germany

Nominal Energy: 727.7 Wh
Max. Charge Voltage: 42 V
Min. Discharge Voltage: 28 V
Nominal Voltage: 36.9 V
Energy: 708.48 Wh
Rated Capacity: 19.2 Ah



609304;123456;12345678901;GEB20-W32

Use only with Shimano Steps



2 SAFETY

When misused, lithium ion batteries pose a threat of explosion and fire. Adhere to safety advice to minimize risks and to avoid misuse.

2.1 SAFETY ADVICE

- Use the battery and equipment only if in proper condition.
- Never use a damaged or broken battery.
- Only use the battery that is approved for your e-bike.
- Use the battery only in connection with the intended e-bike system to protect the battery from dangerous overload.
- Charge the battery before use.
- Only connect compatible chargers to the charging port of the e-bike.
- Keep the battery and its contacts clean and dry. Clean contacts with a dry brush if they are dirty.
- Do not clean the battery with solvents (i. e. dilution, alcohol, oil, anti-corrosives), detergents, or running water.
- Persons (including children) with reduced physical, sensory or mental abilities or lack of experience and knowledge may not use the battery, unless they are supervised and instructed by a person responsible for their safety.
- Do not expose the battery to strong mechanical impacts.
- Keep the battery out of the reach of children.
- Do not open or dismantle the battery.
- Do not short circuit the battery.
- Do not modify or manipulate the battery, its contacts or the charging port of the e-bike.
- Do not cover or remove the burst protection and pressure equalization membrane.
- Observe ambient conditions.
- Do not expose the battery to drastic temperature changes.
- Protect the battery from temperatures above 80 °C, direct sunlight, and fire. Excessive heat may result in battery leakage and damage to the housing. Avoid contact with the liquid.
- Wipe up leaked electrolyte with an absorbent cloth. In case of major leakage wear protective clothing, gas mask against organic gases, safety goggles and protective gloves.
- Do not immerse the battery in any liquid. Do not clean with high-pressure cleaner.
- Do not use the battery if contacts or cables are damaged.

2.2 EMERGENCY INFORMATION

2.2.1 FIRST AID MEASURES

Mechanical, thermal or electrical abuse may cause chemicals and toxic gases to escape.

AFTER INHALATION

Leaked gases can cause respiratory irritation. Provide fresh air and call a doctor.

AFTER SKIN CONTACT

Leaked chemicals can cause skin irritation. Wash skin with soap and water.

AFTER EYE CONTACT

Leaked chemicals can cause eye irritation. Immediately flush eyes thoroughly with water for 15 minutes and seek medical attention.

AFTER INGESTION

Do not give anything by mouth if the victim is unconscious or having convulsions. Rinse mouth thoroughly with water. Do not induce vomiting. At spontaneous vomiting bring victim in lean-forward position in order to minimize risk of suffocation. Rinse mouth thoroughly with water again. Seek medical attention without delay.

2.2.2 FIRE FIGHTING MEASURES

WARNING

Extreme mechanical or electrical stress can cause the battery to heat up and burst with force. Water can react with released lithium hexafluorophosphate to form highly toxic hydrogen fluoride gas.

- Use self-contained breathing apparatus and appropriate protective suit..

EXTINGUISHING AGENTS

Fires of lithium-ion batteries can generally be fought with water. No additional or special extinguishing agents are required. Ambient fires should be fought with conventional extinguishing agents. The fire of a battery cannot be considered separately from the surrounding fire.

The cooling effect of water effectively prevents the spread of fire to battery cells that have not yet reached the critical temperature for ignition (thermal runaway).

The resulting fire gases can cause damage to health.

3 OPERATION

Operation is performed exclusively via the control unit of the e-bike. See the operating instructions of the e-bike..

AMBIENT TEMPERATURE DURING DISCHARGE

-20 °C to 60 °C

AMBIENT TEMPERATURE DURING CHARGE

0 °C to 45 °C

4 STORAGE

ADDITIONAL SAFETY ADVICE

- Do not store battery near hot or inflammable objects. Danger of explosion.
- Store battery in a dry place, away from flames, heaters, and food.
- Keep small metallic objects away from the battery. They may accidentally bridge contacts.
- Store the battery at approx. 50 % state of charge. After three months, check the state of charge and recharge to approx. 50 % if necessary.
- Storage temperature
 - recommended: 10...25 °C
 - maximum: -20...45 °C
- Humidity: 0...80 %

5 TRANSPORT

5.1 DISPATCH

The battery is categorized as a dangerous good and may only be packaged and dispatched by especially trained personnel. Contact your dealer for more information.

5.2 TRANSPORT BY ROAD

Private users may transport their battery on public roads without any restrictions.

Commercial users or third parties must comply with the European Agreement concerning the International Carriage of Dangerous Goods by Road (ADR).

6 DISPOSAL

Do not dispose of the battery in household waste! In the EU, used batteries must be recycled in an environmentally friendly manner. Contact your e-bike dealer if you want to replace or dispose of the battery.

More Information?

Feel free to contact us. We are glad to help.



BMZ Germany GmbH

Zeche Gustav 1

63791 Karlstein am Main

Deutschland

Tel: +49 6188-9956-0

Email: mail@bmz-group.com

Web: www.bmz-group.com