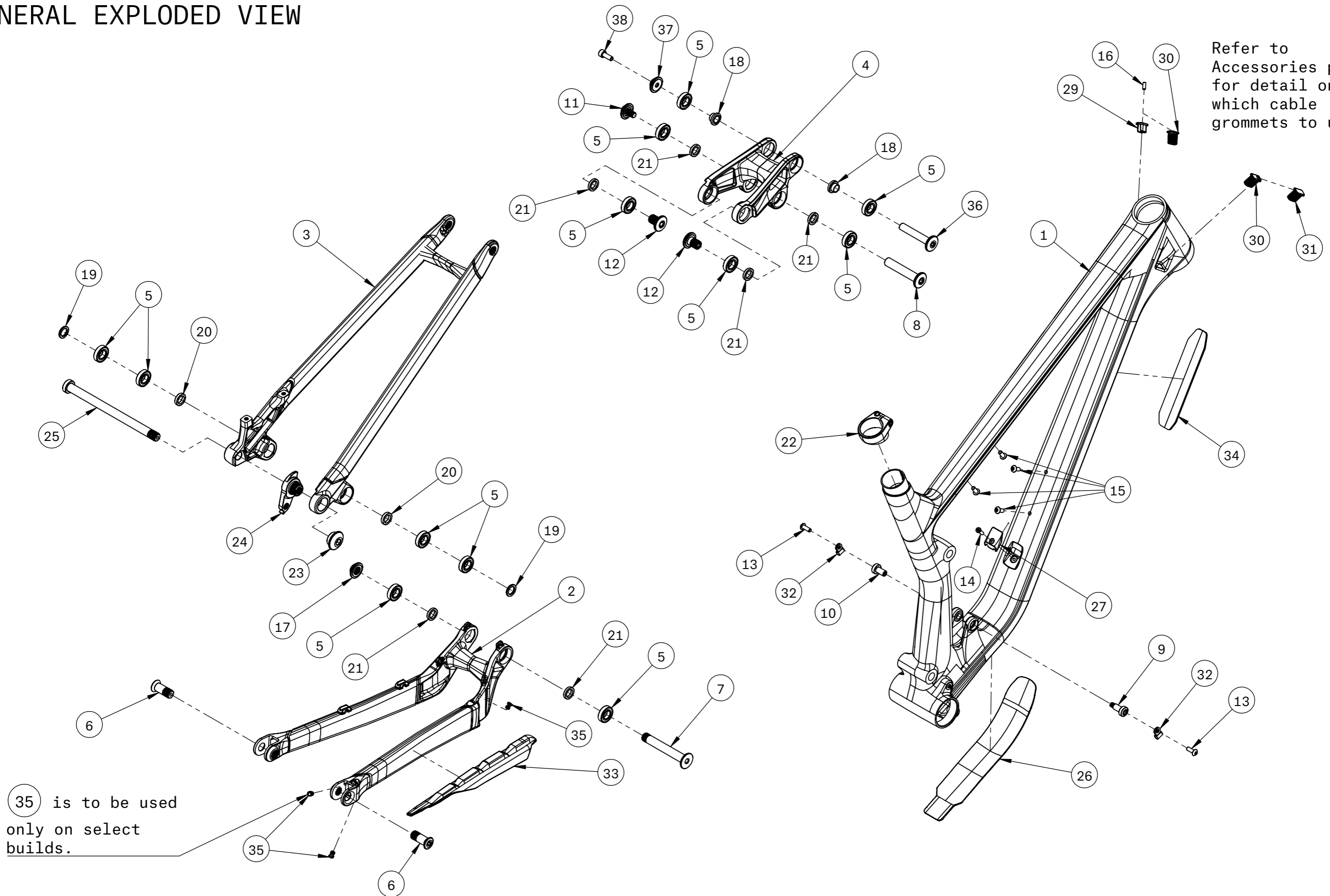
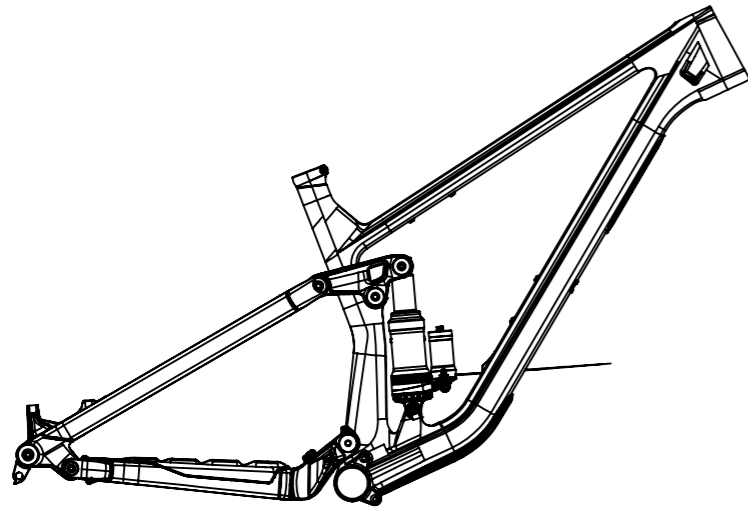


## GENERAL EXPLODED VIEW



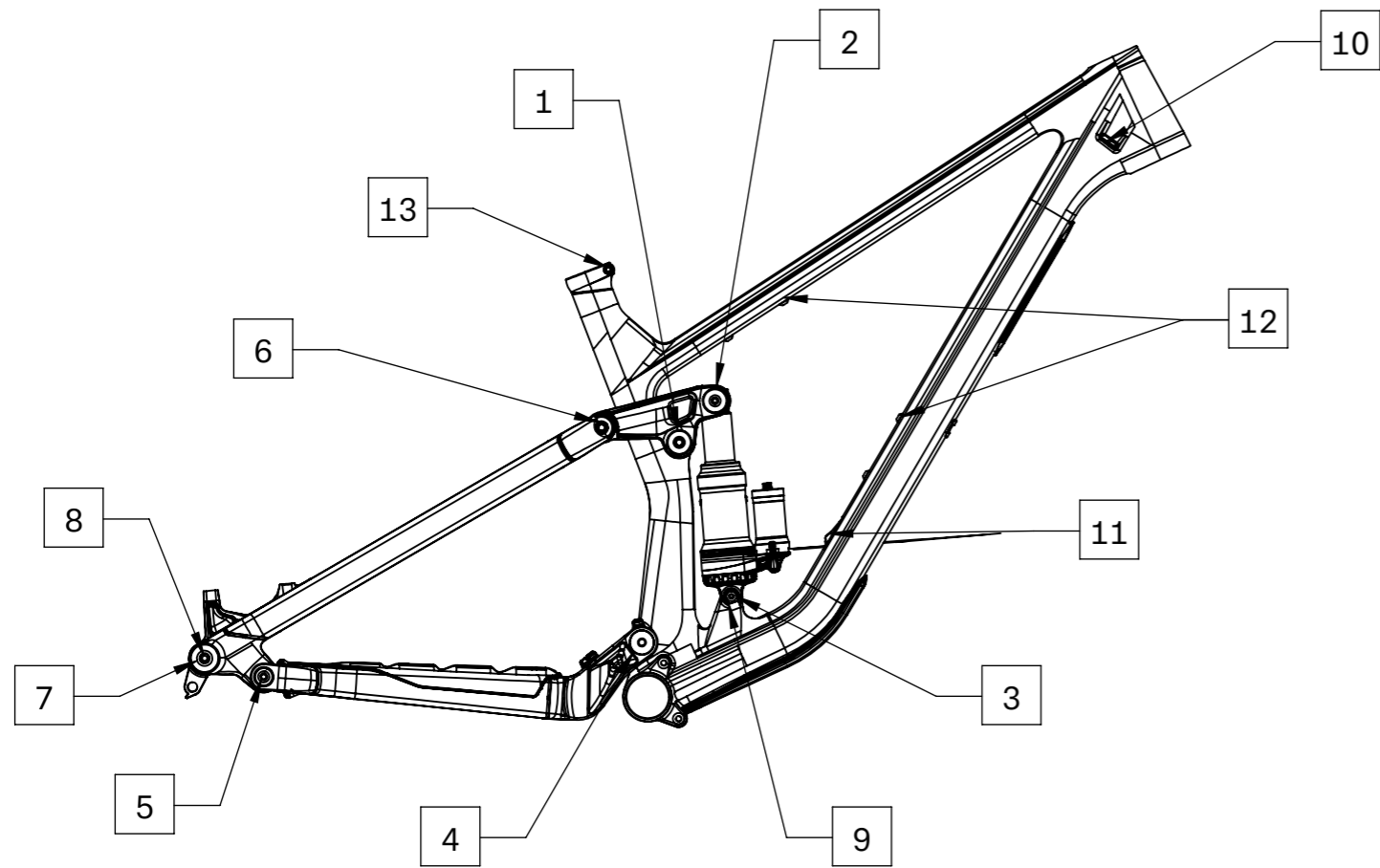
## BILL OF MATERIALS



ADDITIONAL FRAME INFORMATION	
AVAILABLE FRAME SIZES	S, M, L, XL
WHEEL SIZE	29"
S.H.I.S.	ZS44/28.6   ZS56/40
MAX. FORK LENGTH [mm]	561
BB TYPE	PRESS FIT BB92
MAX CHAINRING SIZE	34T
OLD [mm]	148
REAR BRAKE MOUNT [mm]	160, POST
SEATPOST DIAMETER [mm]	31.6
RECOMMENDED TIRE SIZE	29" X 2.35" - 2.6"
SHOCK DIMENSIONS [LENGTH, STROKE] [mm]	190, 45
SHOCK HARDWARE - BODY (W X ID) [mm]	40 X 10
SHOCK HARDWARE - SHAFT (W X ID) [mm]	20 X 8
REAR AXLE TYPE	TA 12mm L174/TL13/M12X1.0
ISCG 05 MOUNTS	LOWER TWO MOUNTS ONLY

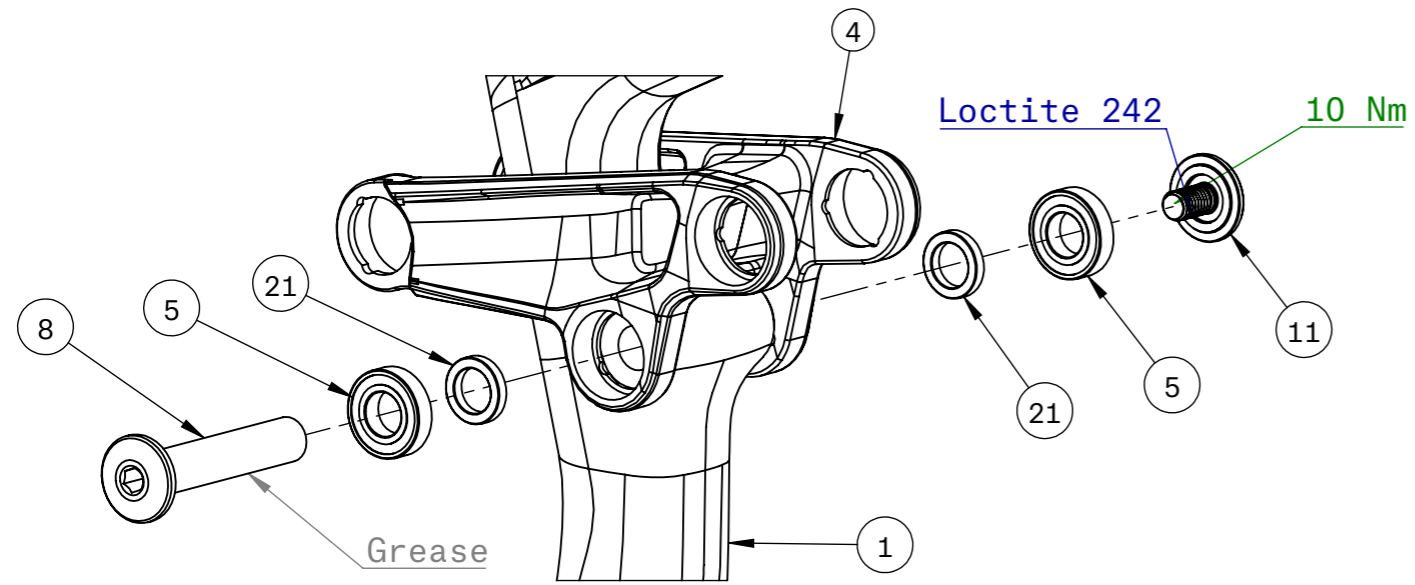
ITEM NO.	SUPPORT PART NUMBER	QTY.	DESCRIPTION
1		1	FT, OPTIC MY21
2		1	CS ASSY, OPTIC MY21
3		1	SS ASSY, OPTIC MY21
4		1	LA, OPTIC, MY21
5	913200-6901-EM	12	6901-LLU ENDURO MAX BEARING, 12X24X6MM
6	913500-013	2	SHAFT, DIA12, L32, M12X1.25, HEX6
7	913500-012	1	SHAFT, DIA12, L82.5, M12X1.25, HEX6
8	913500-022	1	SHAFT, DIA12, L63.5, M8X1.25 INT, HEX6
9	913800-029	1	SHAFT, DIA8, L15, M6X1, HEX5
10	913800-030	1	SHAFT, DIA8, L15, M6X1 INT, HEX5
11	913700-008	1	BOLT, M8X1.25, L13, HEX5
12	913400-010	2	BOLT, M12X1.25, L17, HEX6
13	913400-041	2	M5X14MM BUTTON HEAD CAP SCREW
14	913400-030	1	M4X12MM LOW HEIGHT SOCKET HEAD CAP SCREW
15	913400-031	4	M5X12MM BUTTON HEAD CAP SCREW
16	913400-069	1	M4X10MM GRUB SCREW
17	913700-002	1	NUT, M12X1.25, L7, HEX15
18	913800-006	2	TOPHAT, ID10, OD12, L3.5
19	913300-002	2	SPACER, ID12, OD18, L2
20	913300-001	2	SPACER, ID12, OD18, L4
21	913300-010	6	SPACER, ID12, OD18, L3.5
22	915000-002	1	NORCO SEATPOST CLAMP, 34.9mm
23	913020-004	1	RD HANGER, 2 PIECE, UDH BOLT V2, M12X1.75
24	913015-007	1	RD HANGER, 2 PIECE, UDH V2.1, M12X1
25	913105-011	1	NORCO AXLE, L174, TL13 M12X1
26	915100-009	1	DT GUARD, OPTIC MKII
27	914100-054	1	GIZMO2, TWO POSITION CABLE COVER, ANGLED 5mm & 4mm
28	914100-029	1	GIZMO, DT CABLE TIE GROMMET
29	914100-040	1	GIZMO3.1, 2P LOCKING
30	914100-037	2	GIZMO3, 2P, 5mm & BLANK
31	914100-028	1	GIZMO3, 2P, BLANK
32	914100-036	2	YF SINGLE CABLE P-CLIP
33	915200-027	1	CS PROTECTOR, OPTIC MY21
34	915500-021	1	SHUTTLE GUARD, OPTIC MY21
35	914100-045	3	GROMMET, CABLE PORT PLUG 5.5MM DIA
36	913800-039	1	SHAFT, DIA10, L58, M6X1 INT, HEX5
37	913800-040	1	CAP, 6ID, 23.50D, L8
38	913400-033	1	M6X16MM SOCKET HEAD CAP SCREW
39	914100-055	1	GIZMO2, TWO POSITION CABLE COVER, ANGLED 5mm & BLANK

## TORQUE SEQUENCE

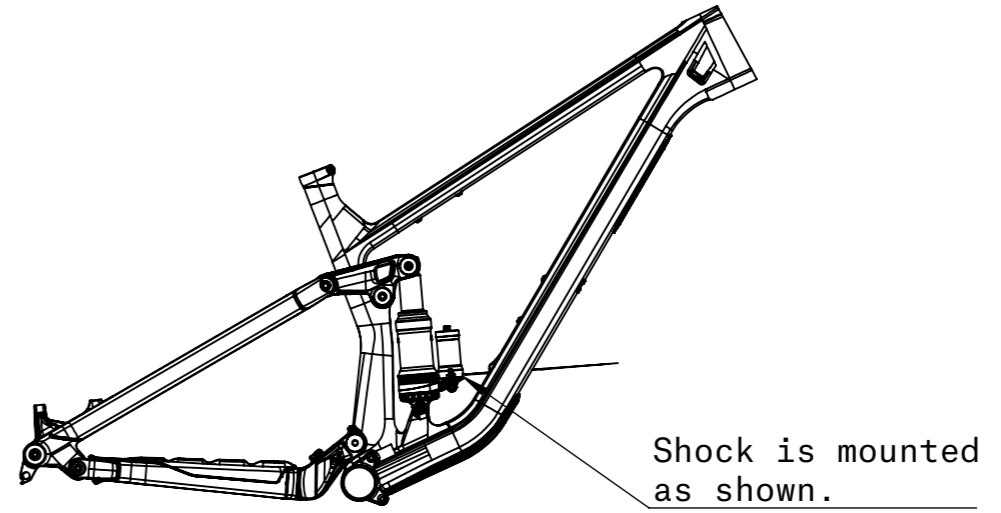


INDEX	NAME	TORQUE (Nm)	TOOL
1	FRONT TRIANGLE TO LINKARM	10	5mm & 6mm HEX
2	LINKARM TO SHOCK	8	5mm HEX
3	FRONT TRIANGLE TO SHOCK	8	5mm HEX
4	CHAIN STAY TO FRONT TRIANGLE	12	15mm WRENCH & 6mm HEX
5	CHAIN STAY TO SEAT STAY	10	6mm HEX
6	LINKARM TO SEAT STAY	12	6mm HEX
7	HANGER	12	8mm HEX
8	AXLE	10	6mm HEX
9	CABLE P-CLIP BOLTS	1	3mm HEX
10	CABLE PORT	1	2mm HEX
11	FRAME EXIT PORT	3	2.5mm HEX
12	BOTTLE CAGE BOLTS	3	3mm HEX
13	SEAT CLAMP	5	4mm HEX

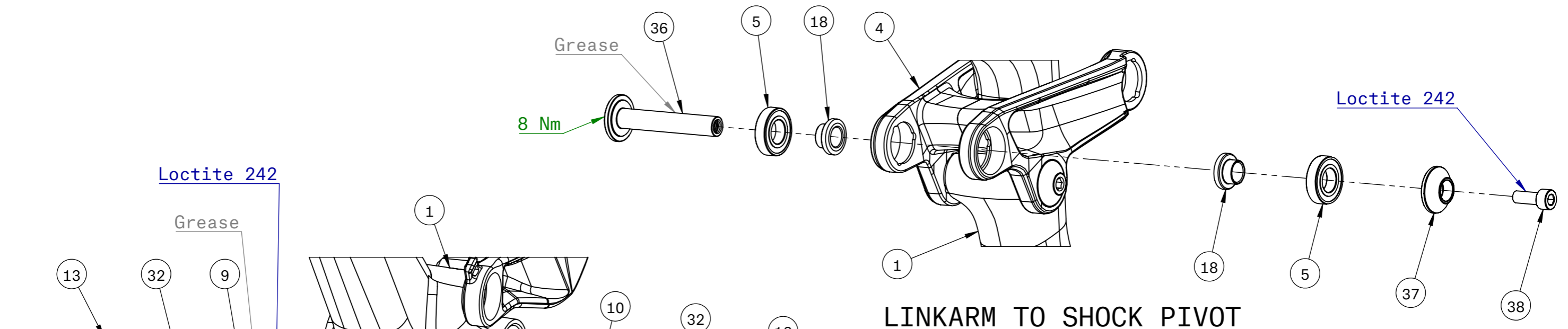
## PIVOT HARDWARE



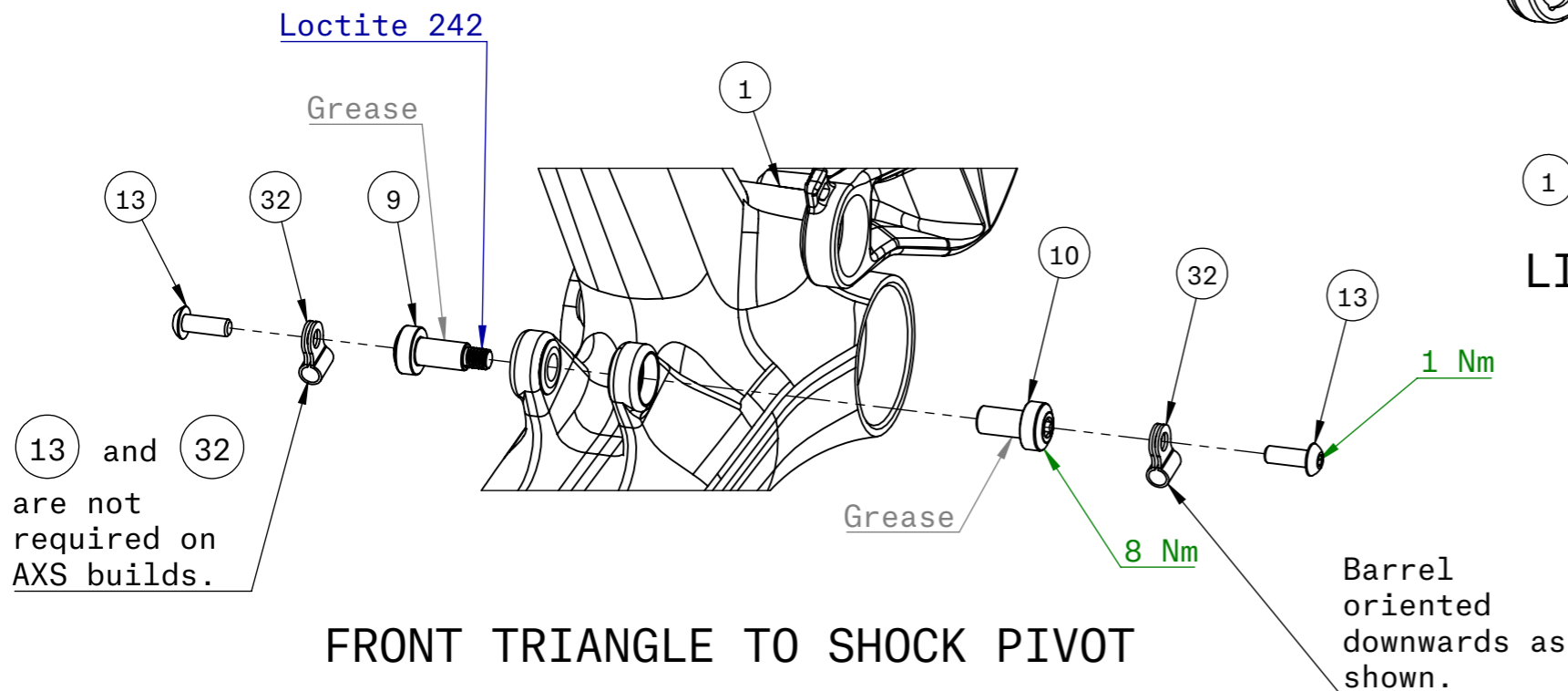
LINKARM TO FRONT TRIANGLE PIVOT



SHOCK ORIENTATION

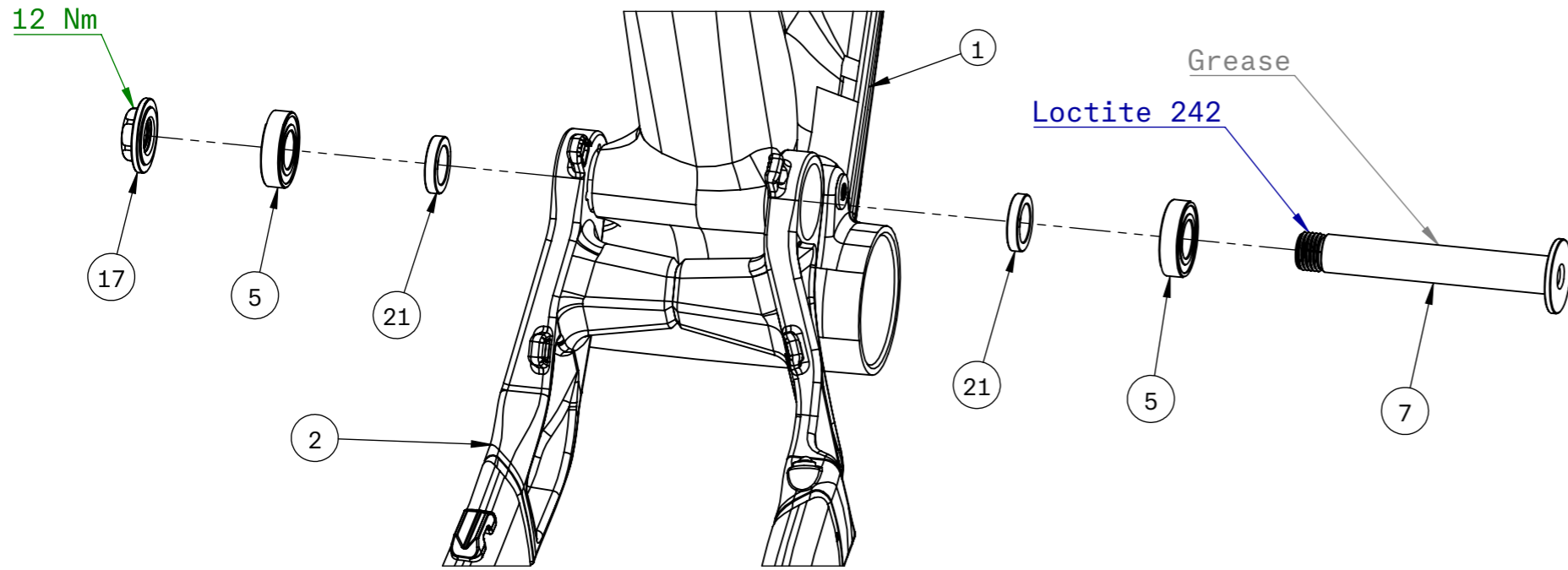


LINKARM TO SHOCK PIVOT

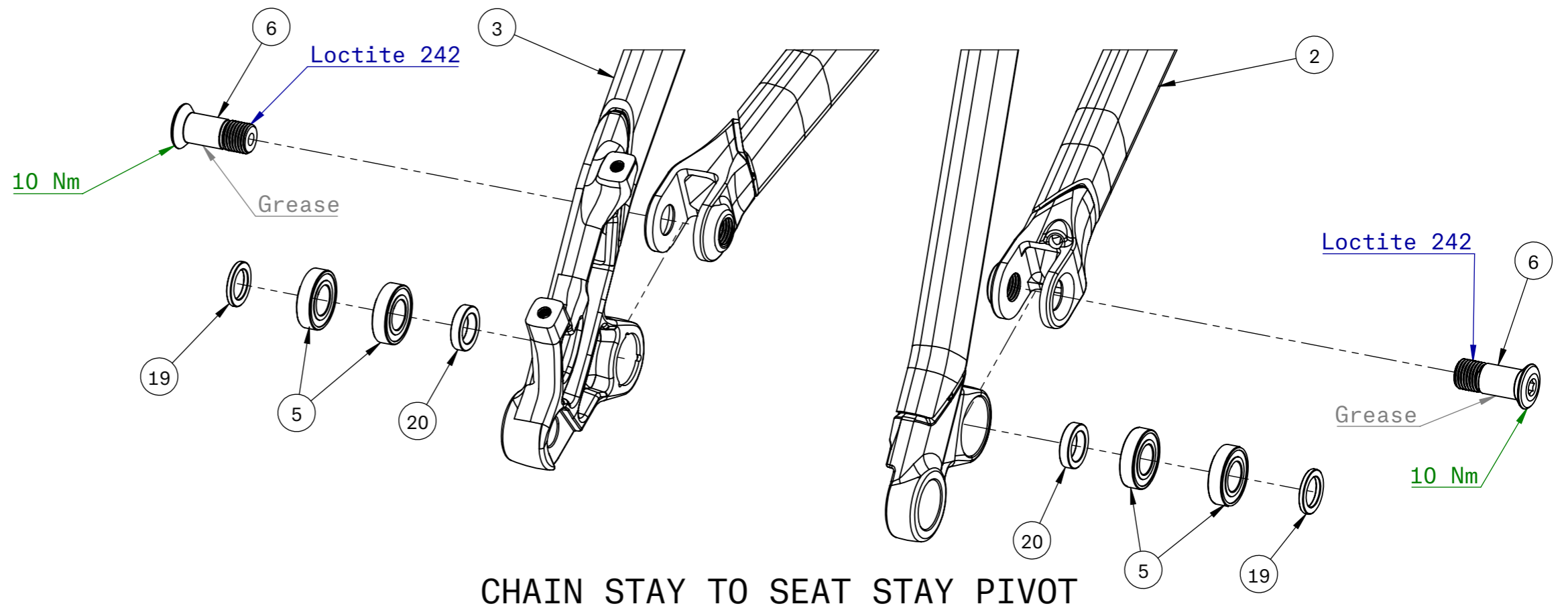


FRONT TRIANGLE TO SHOCK PIVOT

PIVOT HARDWARE

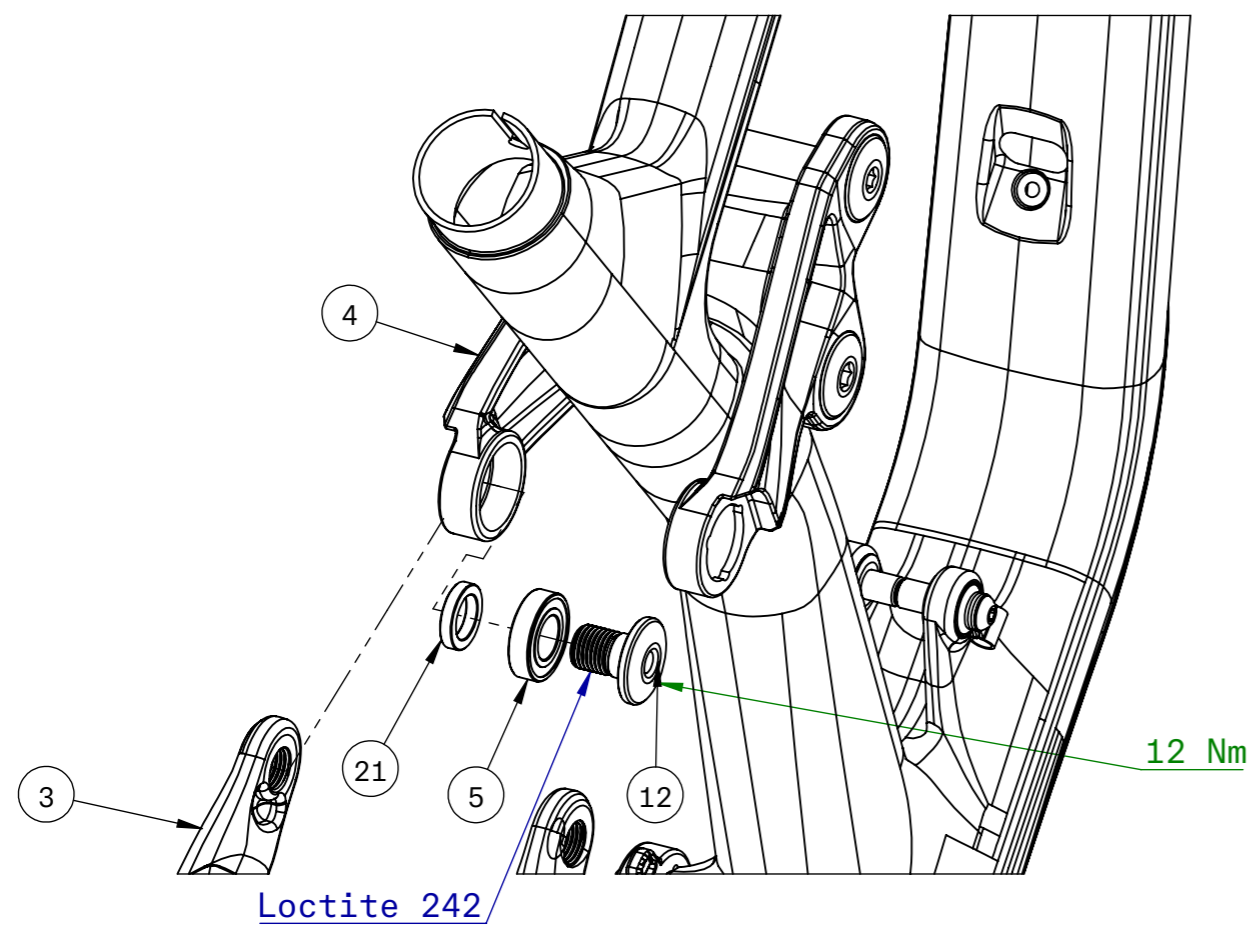


CHAIN STAY TO FRONT TRIANGLE PIVOT

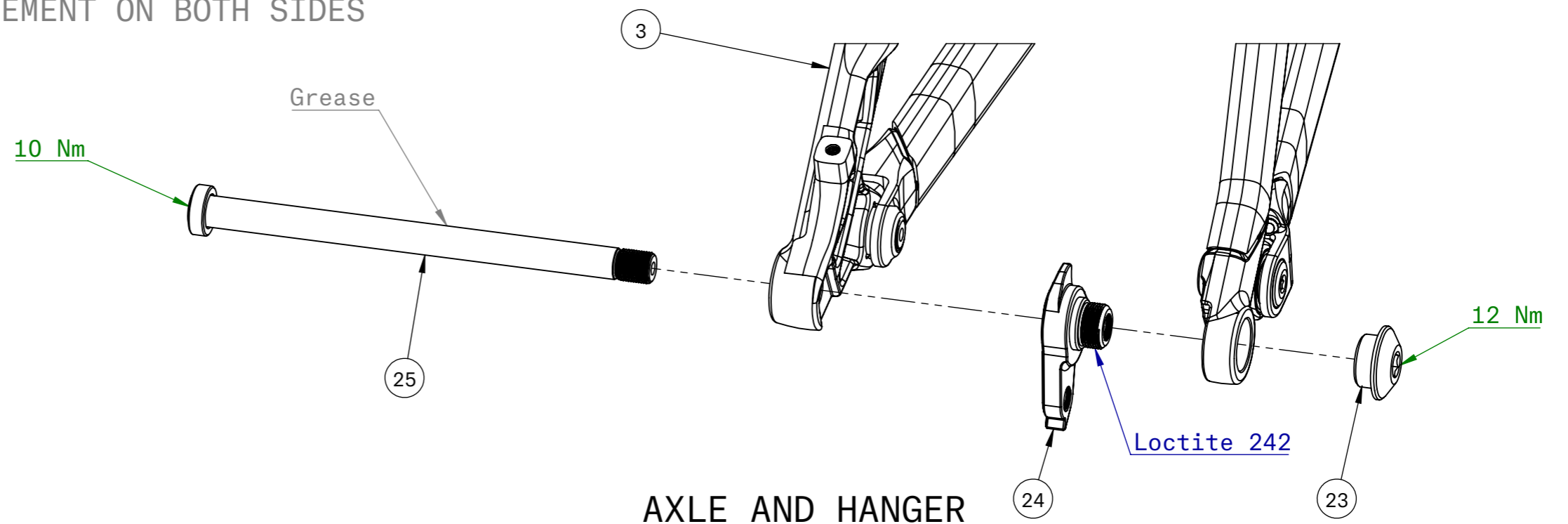


CHAIN STAY TO SEAT STAY PIVOT

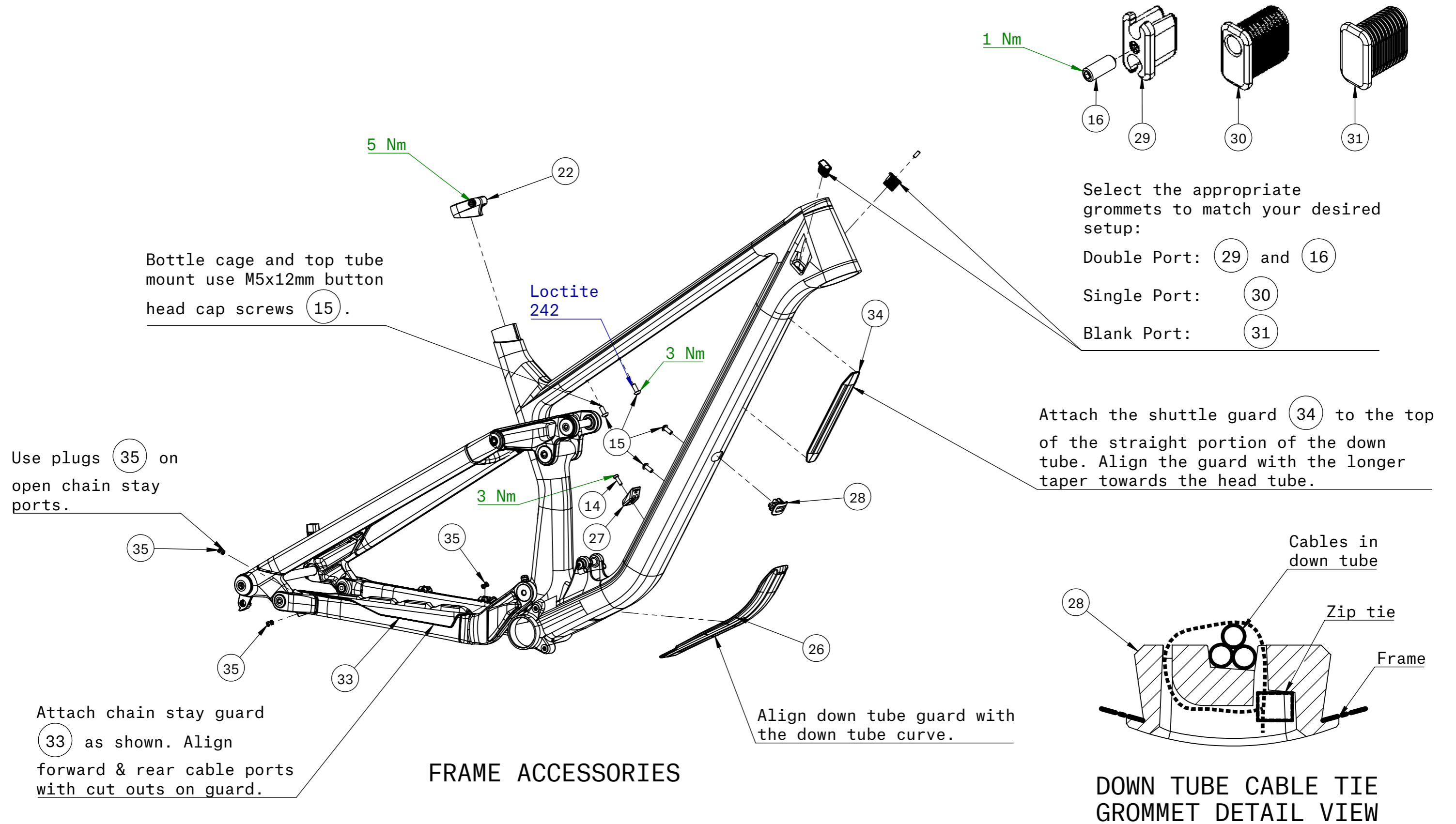
PIVOT HARDWARE



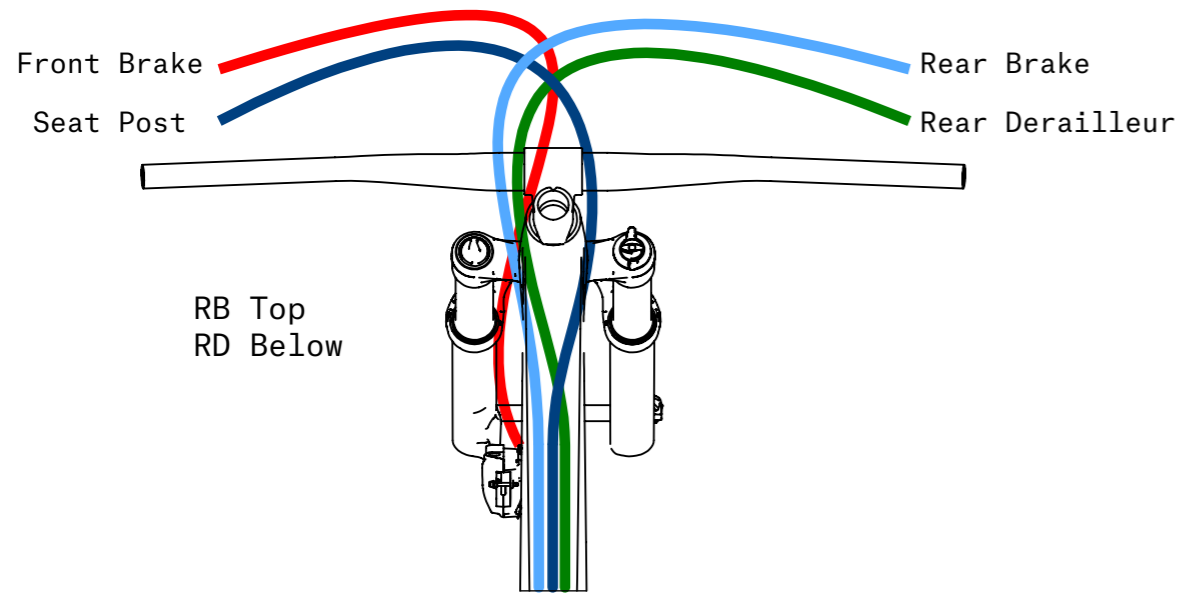
LINKARM TO SEAT STAY PIVOT  
SAME ARRANGEMENT ON BOTH SIDES



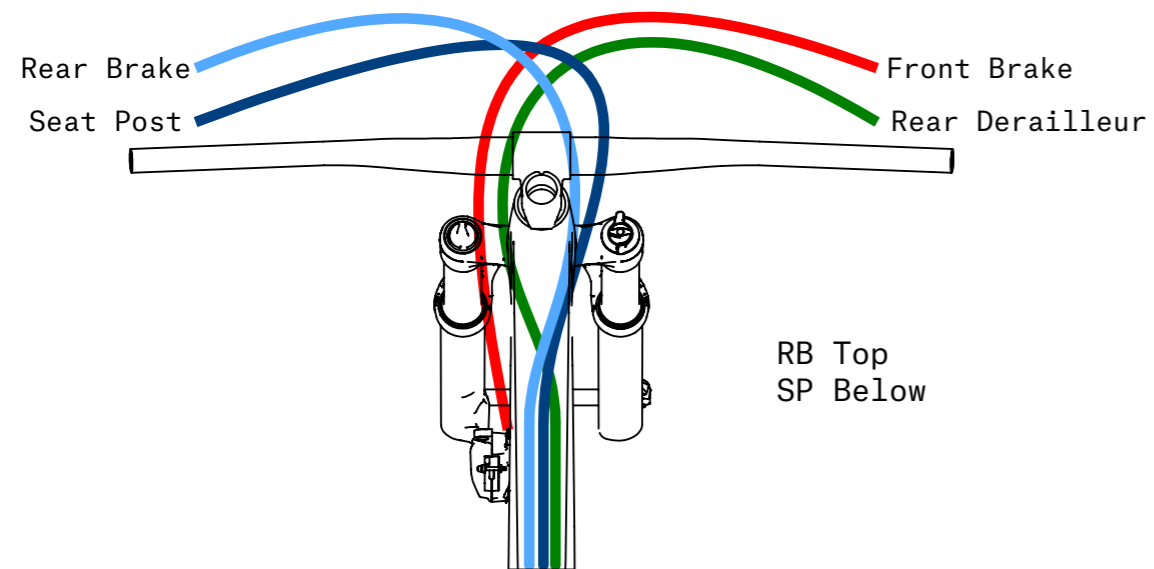
## ACCESSORIES



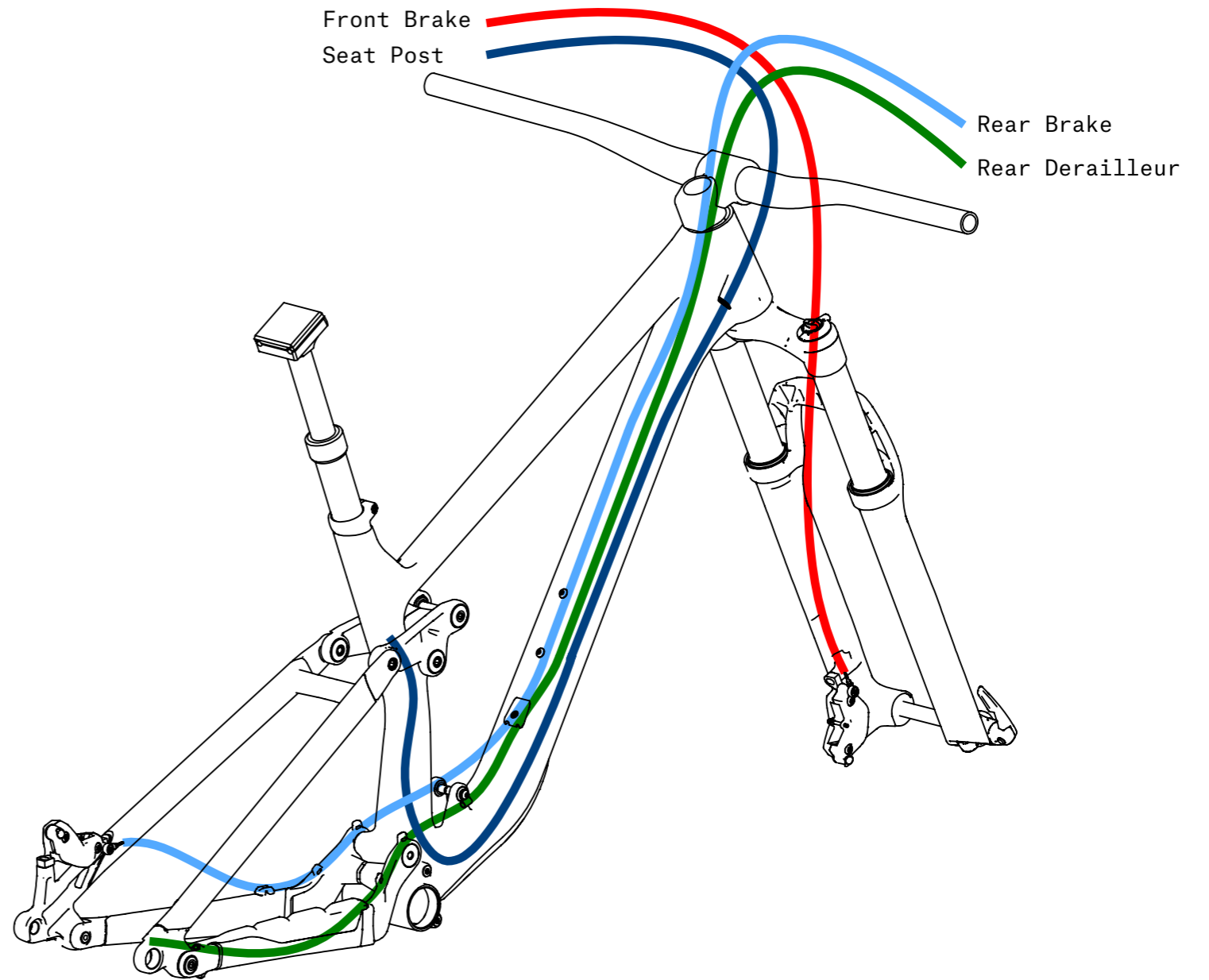
CABLE ROUTING



STANDARD LAYOUT



SELECT INTERNATIONAL LAYOUT



STANDARD LAYOUT  
ISOMETRIC VIEW