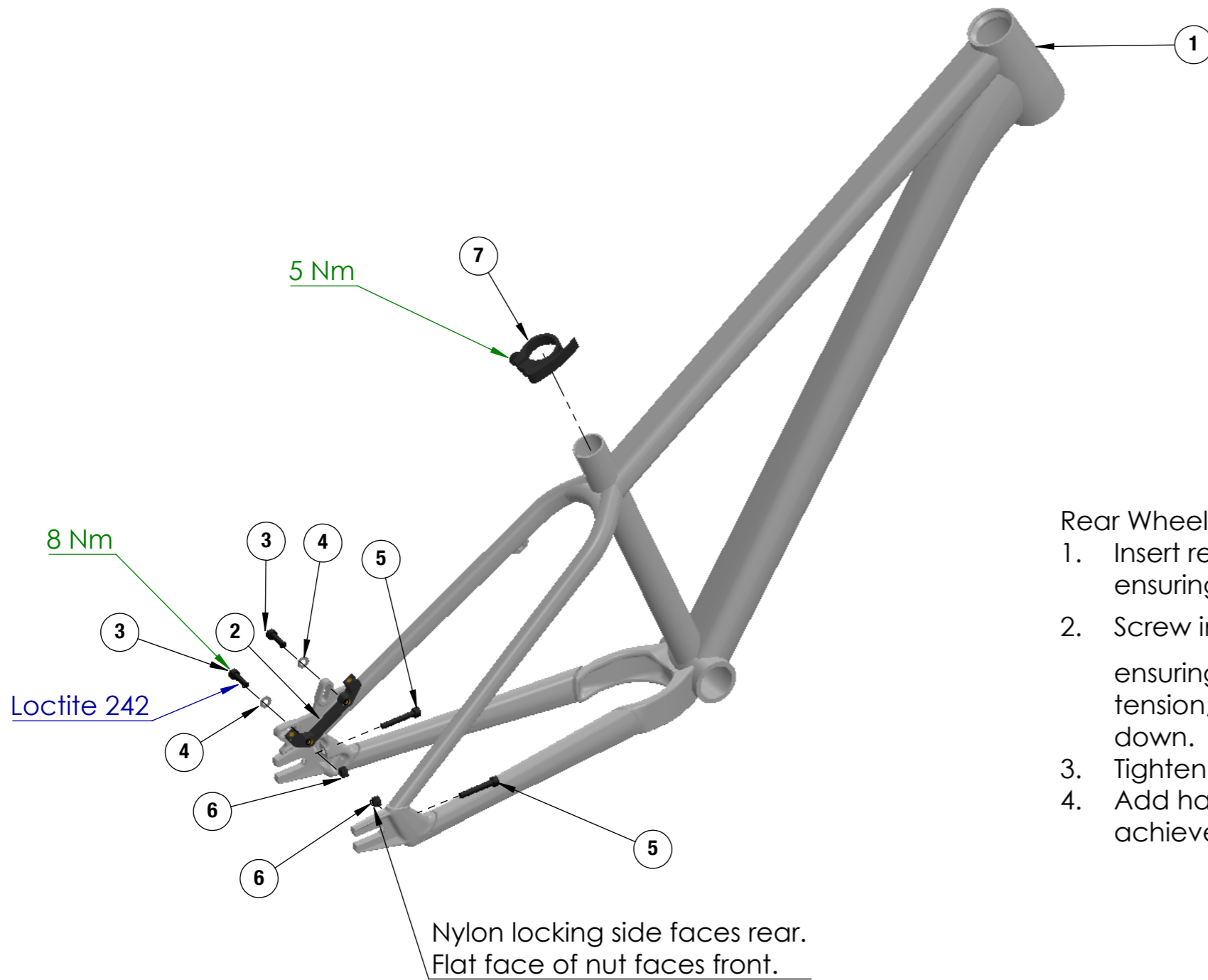


EXPLODED VIEW & BILL OF MATERIALS

ITEM NO.	SERVICE PART NUMBER	QTY.	DESCRIPTION	MATERIAL	TORQUE
1	CONTACT CUSTOMER SERVICE	1	FR ASSY, RAMPAGE DJ	6061-T6	-
2		1	ADAPTER, ISF180/ISR160	6061-T6	-
3	SOURCE LOCALLY	2	M6X20MM SOCKET HEAD CAP	STEEL, BLACK CHROMATE	8 NM
4	SOURCE LOCALLY	2	M6 WASHER, 1.4mm	STEEL, ZINC PLATED	-
5	913600-012 KIT	2	M6X35MM SOCKET HEAD CAP	STEEL, BLACK CHROMATE	ADJUSTMENT
6		2	M6 NYLOC NUT	STEEL WITH NYLON RING	-
7	915000-003	1	QR SEAT POST CLAMP, 31.8mm	6061-T6	5 NM

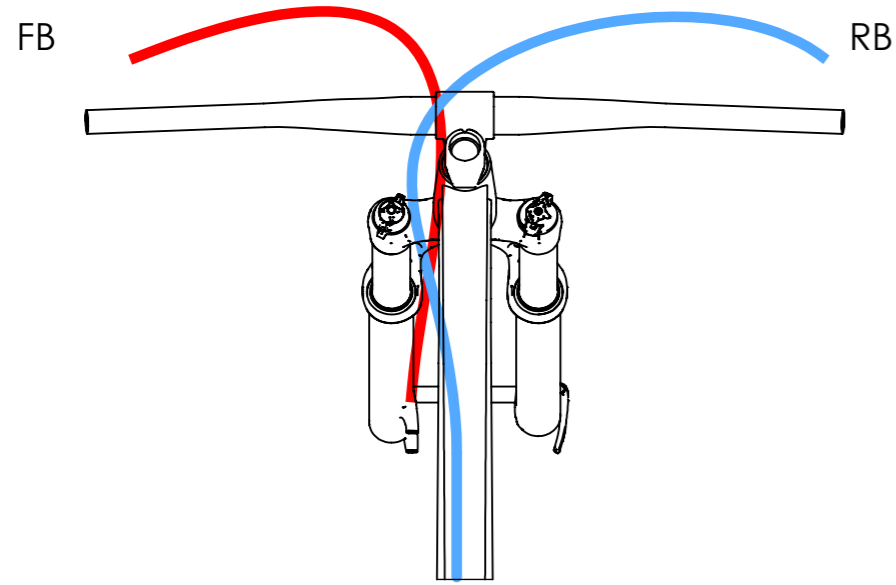


ADDITIONAL FRAME INFORMATION		
AVAILABLE FRAME SIZES	S, M, L	YOUTH
WHEEL SIZE	26"	20", 24"
S.H.I.S.	IS42/28.6 IS52/40	
MAX. FORK LENGTH, OFFSET [mm]	482, 40	372,40 (20"); 460, 40 (24")
BB TYPE, WIDTH [mm]	BSA THREADED, 73	
MAX CHAINRING SIZE	34T	
OLD [mm]	135	
REAR BRAKE MOUNT [mm]	IS	
SEATPOST DIAMETER [mm]	27.2	
MAX TIRE SIZE [IN.]	2.35"	
REAR AXLE TYPE	10mm NUTTED AXLE	

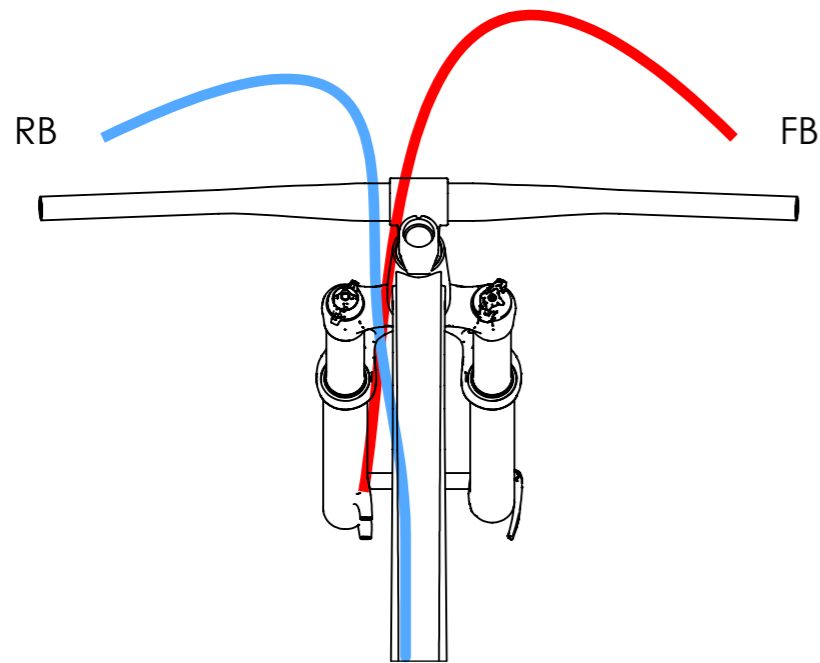
Rear Wheel Installation:

1. Insert rear wheel into the horizontal axle slots and slide all the way to the front, ensuring the chain goes around both the chainring and rear sprocket.
2. Screw in **5** to achieve desired chain tension and centred wheel alignment, ensuring rear axle is resting on the ends of both bolts. For correct chain tension, the center of either chain span should move 10mm total up and down.
3. Tighten both rear axle bolts by hand until finger tight.
4. Add half a turn each, alternately, with a torque wrench, until 30 Nm is achieved on each nut.

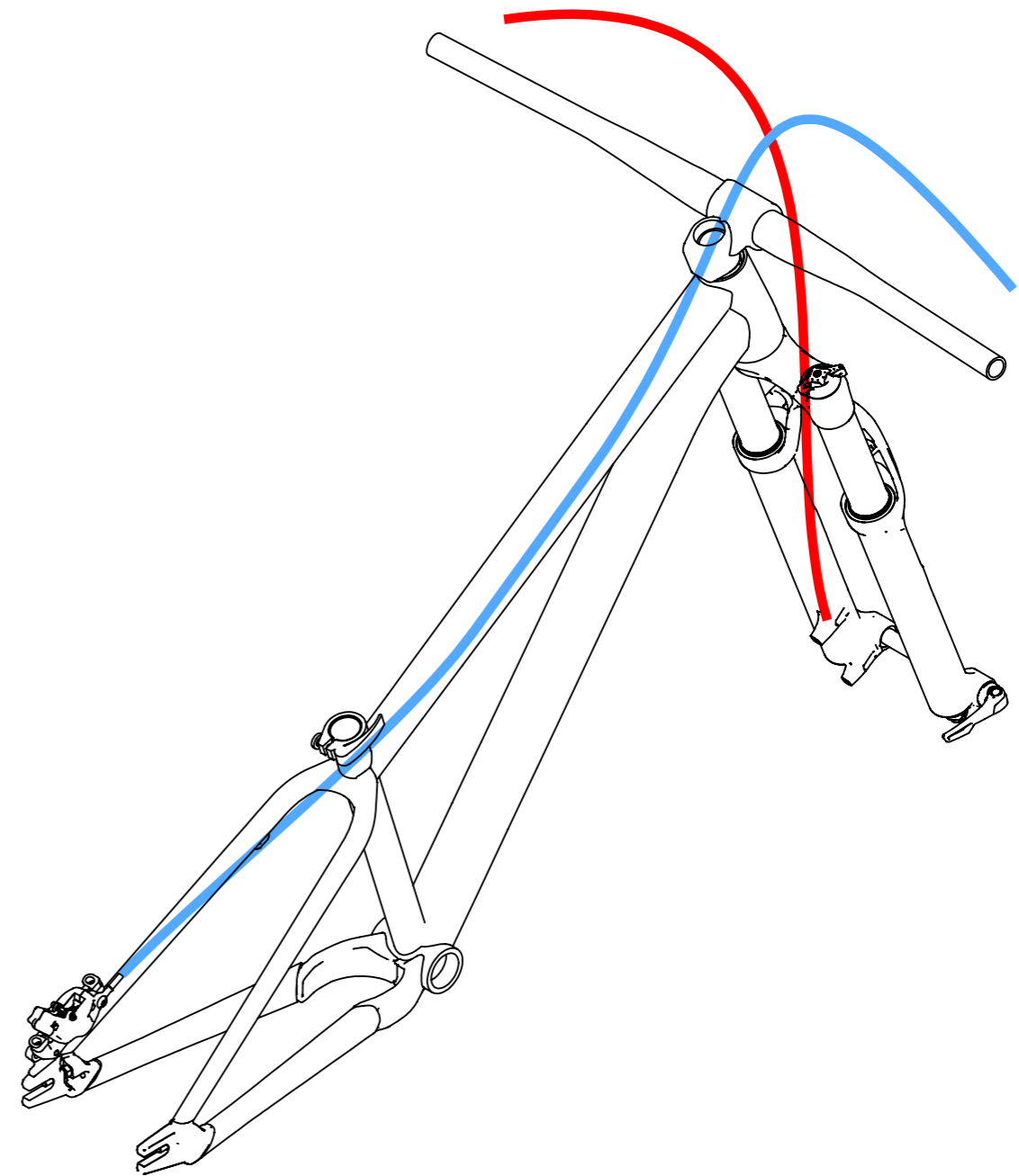
CABLE ROUTING





STANDARD LAYOUT



SELECT INTERNATIONAL LAYOUT



Legend	
	Front Brake Hose (FB)
	Rear Brake Hose (RB)