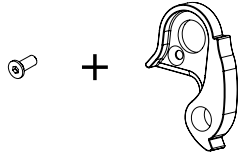
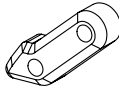
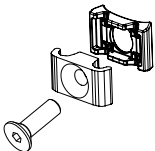
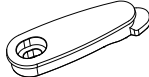
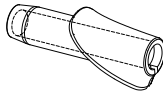


### FRAME SPECIFICATIONS

Seat post:	31.6mmØ
Seat clamp:	34.9mmØ
Front derailleur:	Not compatible
Bottom bracket:	BSA 100mm shell
Headtube:	Tapered 1.125" - 1.5"
Headset:	S.H.I.S. IS42/28.6 IS52/40
Brakes:	Post mount 160mm
Front axle:	15x150 L198 M15x1.5
Rear axle:	12x197 L229 M12x1.75 (Maxle standard)

1	<b>DERAILLEUR HANGER</b> 913015-003	
M4X6MM COUNTERSUNK		
2	<b>FLIP MOUNT</b> 959371-8-6	
3	<b>DOUBLE CABLE GUIDE</b> 959800-15-200-2	
M5X16MM COUNTERSUNK		
4	<b>CABLE BLANK</b> 959800-15-311	
4	<b>DROPPER POST FITTING 1 of 2</b> <b>4MM GROMMET</b> 959800-15-307	<b>4MM GROMMET</b> 959800-15-306
		or
<b>DROPPER POST FITTING 2 of 2</b> 959800-15-310		