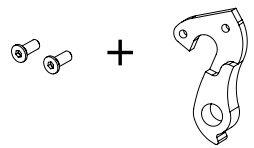



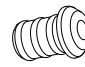
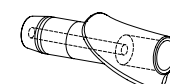

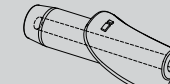
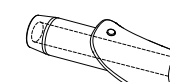



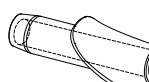


<p>1 DERAILLEUR HANGER 959371-8-8</p>	 <p>M3X6MM COUNTERSUNK</p>
<p>2 CABLE PORT 959800-15-310</p>	 <p>M3X8MM BUTTON HEAD</p>
<p>3 BB CABLE GUIDE 959800-15-305</p>	
<p>4 CHAIN CATCHER 959800-15-304</p>	

FRAME SPECIFICATIONS

Seat post: 27.2mmØ
 Seat clamp: 31.8mmØ
 Front derailleur: Braze-on bottom pull
 Bottom bracket: BB86 Road
 Headtube: Tapered 1.125" - 1.5"
 Headset: S.H.I.S. IS42/28.6 IS52/40
 Brakes: Flatmount
 Front axle: 100mm QR
 Rear axle: 135mm QR

MECHANICAL

MECHANICAL		Di2	
<p>5 RD GROMMET 959800-15-303</p> 	<p>7 CABLE STOP 959800-15-308</p> 	<p>5 RD GROMMET 959800-15-300</p> 	<p>7 Di2 GROMMET 959800-15-309</p> 
<p>6 4MM GROMMET 959800-15-306</p> 	<p>8 Di2 HOLE PLUG 959800-15-302</p> 	<p>6 BLANK 959800-15-311</p> 	<p>8 Di2 CABLE PORT 914100-010</p> 
<p>9 5MM GROMMET 959800-15-307</p> 		<p>10 FORK CABLE GUIDE 959800-12-200</p> 